



**JCT**  
Analysentechnik

# JAF-1 Liquid Stop



## APPLICATION

- For extractive gas analysis
- For emission and process monitoring
- For analyzer protection
- Reliable prevention of liquid breakthrough to the analyzer
- For installation upstream gas analyzers

## BENEFITS

- Separates reliably sample gas from liquids and dust
- No liquid breakthrough possible
- Separation of residual dust e.g. after a change of the dust filter element in a gas analysis system
- Easy mounting and integration in gas analysis systems
- Alerting by upstream flow monitoring
- Corrosion resistant
- Gas tight

## FEATURES

- Semipermeable membrane with fluoropolymer coating
- Fine filter with 0,1  $\mu\text{m}$
- Low dead volume
- Low pressure drop
- Low dimensions
- Suitable for high ambient temperatures
- Variable connection technology
- Gas flow is interrupted with completely wet membrane

Gas Sampling Probes

Heated Sample Lines

Sample Gas Coolers

Condensate Treatment

## Accessories

Gas Conditioning Systems

Sample Gas Converters

## TECHNICAL DATA

### Model

**JAF-1**

Description

liquid stop for analyzer protection

### Operation

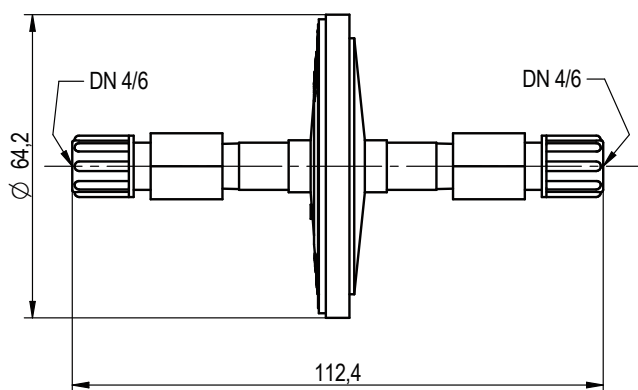
|                                      |                |
|--------------------------------------|----------------|
| Flow                                 | max. 400 NI/hr |
| Operating temperature                | 0° to 80 °C    |
| Operating pressure                   | max. 3 bara    |
| Pressure drop at 100 / 400 NI/hr air | 10 / 40 mbar   |

### Construction

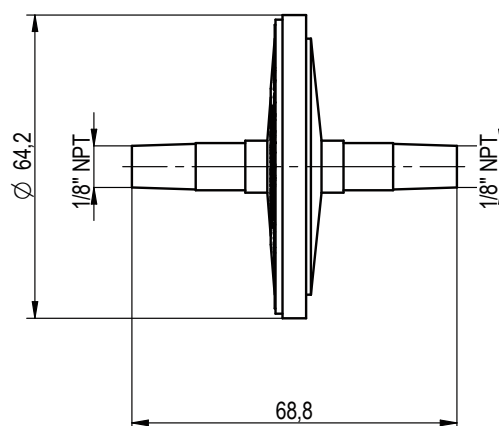
|                                  |   |
|----------------------------------|---|
| Dimensions over all (Ø x L)      | 70 x 120 mm (with hose fittings)        |
| Connections inlet / outlet       | NPT 1/8" male or hose fitting DN 4/6 mm |
| Gas wetted materials             | PTFE, PP, fluor polymer                 |
| Dead volume                      | approx. 5 ml                            |
| Filter porosity / Filter surface | 0,1 µm / 20 cm <sup>2</sup>             |
| Approvals / Signs                | CE                                      |

## DIMENSIONS

Dimensions in mm



p/n 36.00300

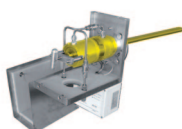


p/n 36.00301

## ORDER CODES

| Order code | Description  |
|------------|--|
| 36.00300   | JAF-1 liquid stop with 2 hose fittings DN 4/6 mm out of PP |
| 36.00301   | JAF-1 liquid stop with 2 connection threads NPT 1/8" male  |

Gas Sampling **Probes**



Heated Sample **Lines**



Sample Gas **Coolers**



Gas Conditioning **Systems**



NOx **Converter**



and solutions for

