



**JCT**  
Analysentechnik

# JER-EH

## Heated Sampling Pipe



### Gas Sampling Probes

Heated Sample Lines

Sample Gas Coolers

Condensate Treatment

Accessories

Gas Conditioning Systems

Sample Gas Converters

### APPLICATION

- Extractive gas analysis
- Emission and process monitoring
- Avoidance of acid dew point lower deviation between sampling point and gas sampling probe
- Combinable with gas sampling probes series JES-301, JES-360, JES-380, JES-370 and JES-301L

### BENEFITS

- Sampling without influence on the sample gas
- No corrosion due to condensate formation
- Homogeneous heating of interior and exterior pipe to 180 °C due to even temperature distribution across the whole heat conductor length regardless of the operating conditions
- Easy mounting
- Pre-filter and extensions adaptable
- Pt100 temperature sensor with JTC-308 temperature controller
- Illuminated temperature display

### FEATURES

- Corrosion resistant double shell pipe with internal heating
- Heating failure monitoring with alarm contact and indication
- Mounting directly at the standard process flanges
- Tube length of 500 to 2000 mm available
- Controlled heating up to 180 °C
- Electronic temperature controller with temperature display
- Controller for wall mounting or directly mounted at the sampling tube (option)
- Electrical connection turn-key mounted with JTC-308

## TECHNICAL DATA

### Model

**JER-EH**

Description	heated sampling pipe to avoid gas temperatures below the acid dew point
-------------	---

### Operation

Operating temperature	max. 200 °C
Ambient temperature	-20 °C to +60 °C
Operating pressure	max. 7 bara
Mounting position	5° to 15° incline (recommended)
Sample gas temperature	max. 200 °C
Heating-up time	< 1 h

### Construction

Diameter internal / external	21,3 / 45 mm
Lengths	500 / 600 / 700 / 750 / 1000 / 1150 / 1200 / 1500 / 2000 mm
Mounting flange	DN65/PN6 acc. EN 1092-1 form A; or 2" or 3" ANSI 150lbs, ASME B16.5
Sample gas wetted materials	SS316L
Protection class	IP65 (EN60529)
Approvals / Signs	CE

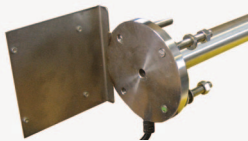
### Electrics

Power supply	230 VAC 50/60 Hz or 115 VAC 50/60 Hz
Power consumption	approx. 450 to 1800 W (depending on sampling pipe length)

### Options



inner thread G3/4" at the sampling pipe end, material 316L, for adaption of a pre-filter or an extension with an unheated sampling tube

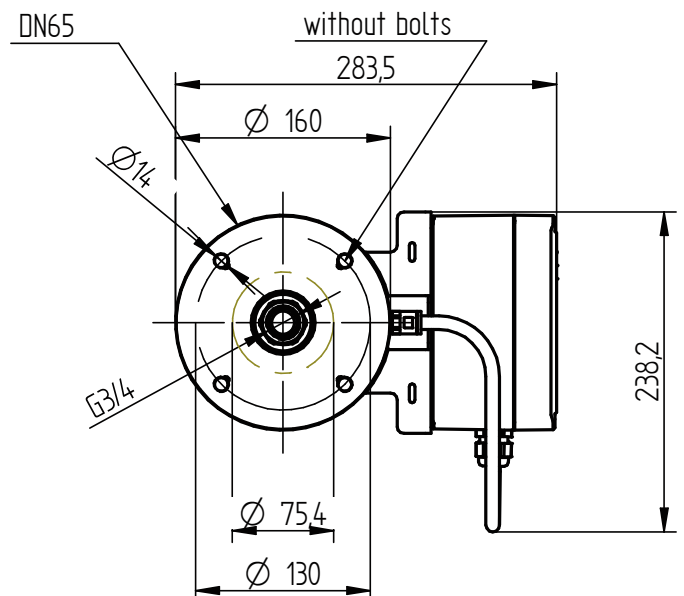
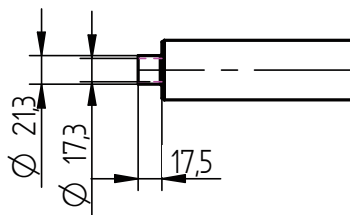
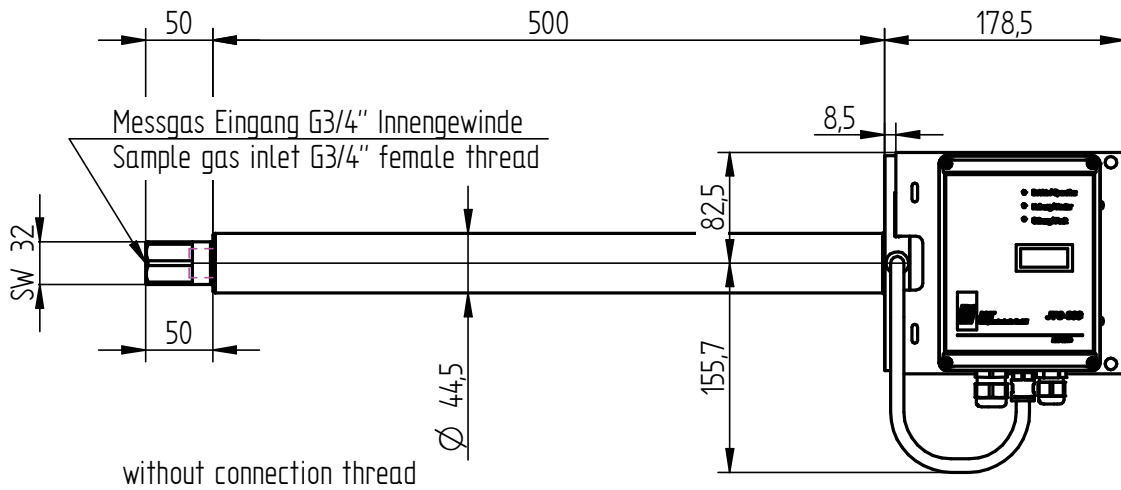
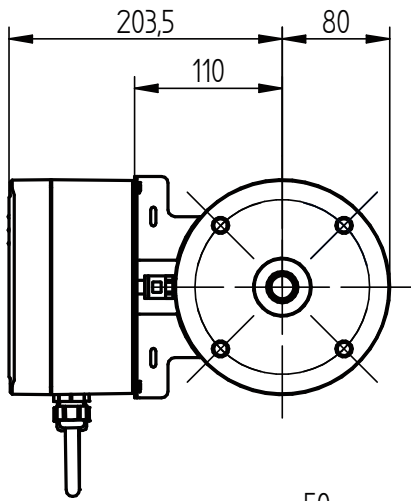


mounting bracket at the flange of the heated sampling pipes JER-EH for mounting of the temperature controller JTC-308, material 316L

# DIMENSIONS

Dimensions in mm

Sample configuration for DN65 with temperature controller



## ORDER CODE

### JER-EH

### Heated sampling pipe 180°C, SS316L

Flange Z	DN65 PN6 with mounting holes Ø 14 mm	Z1							
	2" ANSI 150 lbs with mounting holes Ø 18 mm	Z2							
	DN65 PN6 with threaded bolts M12	Z3							
	2" ANSI 150 lbs with threaded bolts M16	Z4							
	3" ANSI 150 lbs with mounting holes Ø 18 mm	Z5							
	3" ANSI 150 lbs with threaded bolts M16	Z6							
Length	Specify desired length in order code 050 / 060 / 070 / 075 / 100 / 115 / 120 / 150 / 200 cm		...						
Connection thread A	without					A0			
	with connection thread G3/4" female for e.g. pre-filter					A1			
Mounting bracket for temperature controller MB	without bracket for JES-370 or as stand alone device							MB0	
	with bracket for DN65 or 2" flange for JES-301 series							MB1	
	with bracket for DN65 or 2" flange for JES-360 & JES-380 series							MB2	
	with bracket for 3" flange for JES-301 series							MB3	
	with bracket for 3" flange for JES-360 & JES-380 series							MB4	
Power supply X	230 VAC 50/60 Hz including temperature controller JTC-308 with Pt100								X3
	115 VAC 50/60 Hz including temperature controller JTC-308 with Pt100								X4
	230 VAC connection box with Pt100 3 wire sensor system (IEC-751)								X5
	115 VAC connection box with Pt100 3 wire sensor system (IEC-751)								X6
	230 VAC with loose wire ends Pt100 3 wire sensor system (IEC-751); option MB0								X7
	115 VAC with loose wire ends Pt100 3 wire sensor system (IEC-751); option MB0								X8

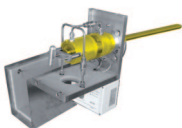
#### Order code

JER-EH. **Z** ... **A** **MB** **X**

#### Order example 1 m

JER-EH. **Z1** **100** **A1** **MB0** **X3**

Gas Sampling Probes



Heated Sample Lines



Sample Gas Coolers



Gas Conditioning Systems



NOx Converter



and solutions for

