



JCT
Analysentechnik

JPXE4 / JPXF4 Temperature Controller with Solid State Relays and housing



Gas Sampling
Probes

Heated Sample Lines

Sample Gas
Coolers

Condensate
Treatment

Accessories

Gas Conditioning
Systems

Sample Gas
Converters

APPLICATION

- Digital temperature controller and solid state relay combination for all, single and three phase (very long), **JCT** heated sample lines
- For operation with elevated safety requirements due to a limiter function with permanent shut down and status message
- For universal temperature control applicable

BENEFITS

- Long lifetime due to solid state relay instead of electro mechanic relays
- Excess temperature limiter with permanent shut down and low temperature alarm
- Supply voltage 1 x 115/230 VAC or 3 x 400 VAC
- Self optimising (autotuning)
- Programmable status contacts
- Easy installation and set up
- High reliability
- Robust compact design

FEATURES

- Ready for use combination of digital temperature controller JPXE4 / JPXF4 and solid state relay
- SSR with up to 3 x 32 A switching capacity
- 4-digits LED indication of set point and actual value
- For RTD Pt100 and thermocouples
- For 1 & 3 phase application
- SSR with varistor protection output
- Forced cooling even for hot environments
- Rugged stainless steel housing
- Optional RS485 interface

TECHNICAL DATA

Model

Temperature Controller with housing

Description	Universal temperature controller JPXF4 and solid state relay (32 A) with forced cooling	Universal temperature controller JPXE4 and solid state relay (32 A) with forced cooling	Universal temperature controller JPXE4 with solid state relay (30 A) combination and housing
Order code	89.00120 pre-configuration 89.90000	89.00121 pre-configuration 89.90000	89.00122 pre-configuration 89.90000

Operating Data

Ambient temperature	-10 °C to +50 °C (forced cooling)	-10 °C to +50 °C (forced cooling)	-10 °C to +50 °C
Forced cooling	built in fan	built in fan	-
Humidity	90 % RH (no condensation)		

Construction

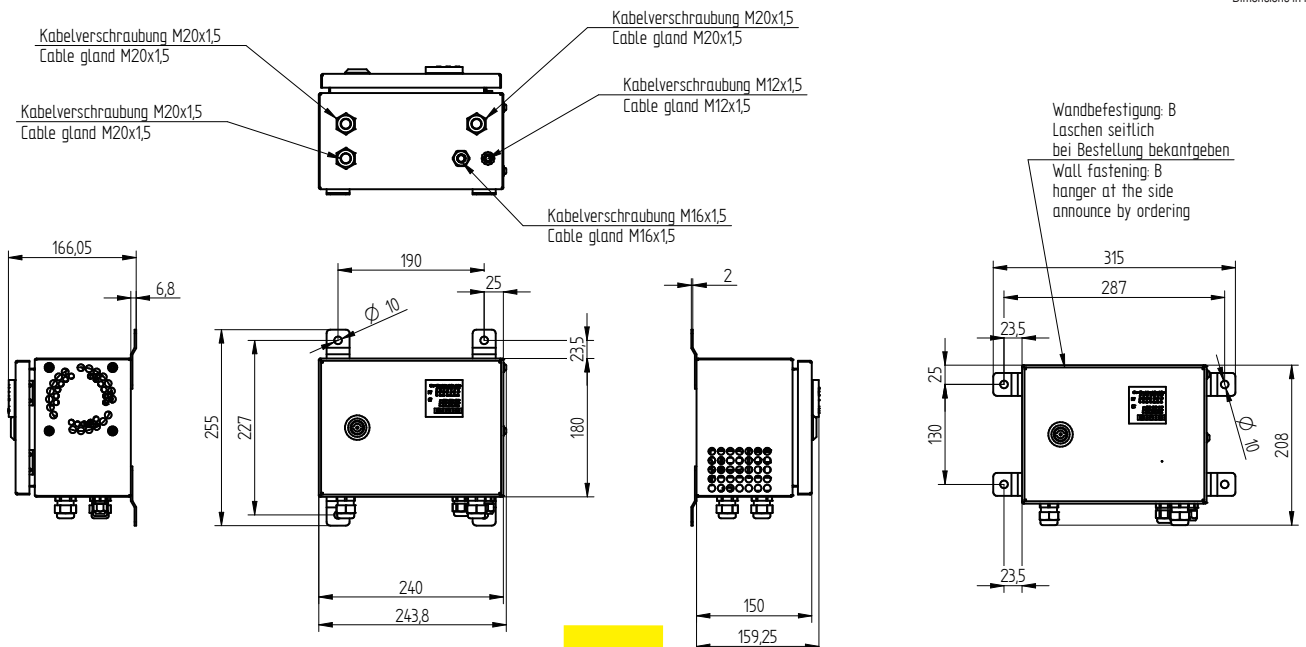
Installation	wall mount		
Housing material	SS304		
Protection class	IP 21 (EN 60529)	IP 21 (EN 60529)	IP 65 (EN 60529)
Approvals	CE		

Electrics

Power supply	3 x 400 VAC, 50/60 Hz +/- 10 %	3 x 400 VAC, 50/60 Hz +/- 10 %	115...240 VAC, 50/60 Hz +/- 10 %
Load circuit	3 x 400 VAC without neutral	3 x 400 VAC without neutral	115...240 VAC, 50/60 Hz +/- 10 %
Rated current	max. 3 x 32 A @ 25 °C tamb max. 3 x 27 A @ 40 °C tamb	max. 3 x 32 A @ 25 °C tamb max. 3 x 27 A @ 40 °C tamb	max. 30A @ 40 °C tamb max. 27A @ 50 °C tamb
Surge current	580 A at 25 °C and t = 10 ms		
Relay contact outlet	1 x changeover contact NO, max. 220 VAC / 30 VDC 3 A (at ohmic load)		
Sensor type	RTD Pt100, thermo couple -J, -K, -R, -B, -S, -T, -E, -N, -PL-II		
Interface	RS485	-	-

DIMENSIONS

Dimensions in mm



Gas Sampling Probes



Heated Sample Lines



Sample Gas Coolers



Gas Conditioning Systems



NOx Converter



and solutions for

