

# CROSS STACK LASER GAS ANALYZER (Dual beam version)

DATA SHEET

ZSS-D

Cross stack laser gas analyzer (ZSS) provides continuous measurement of CO and O<sub>2</sub> gas concentration with fast response. Since ZSS is installed directly on the flue(pipe) where objective gas flow to be measured, preparation is not required for measured gas to be introduced to the analyzer, which is required for sampling method. This analyzer can be used under high dust conditions, so it is possible to install upstream of the bagfilter where gas sampling is normally difficult. This is the first laser gas analyzer for environment and process in Japan produced by Fuji.

## FEATURES

1. 2-component analyzer equipped with dual beam for CO and O<sub>2</sub>.
2. Maintenance free thanks to using the long-term stable parts.
3. Running cost is minimized by no need of gas sampling devices and having few parts to replace.
4. Long and high stability due to almost no drift.
5. Since adopting the near-infrared semiconductor laser which emit light of the wavelength of measured component, hardly affected by interference of other gas.
6. Providing a fast response within 4 seconds (high speed



response type: within 2 seconds), it is suitable for monitoring and control of combustible gas recovery in converter furnaces.

7. It is measurable at high temperature and dust circumstance.
8. It is environment-friendly product. Because power consumption is 80VA or lower when 100V AC.

## SPECIFICATIONS

### Measurable component, Measurable range

(Table 1)

Measurable Component	Component	Min.measuring range Note 1)	Max.measuring range Note 1)	Measured gas temperature	Purge gas	4th digit	
2-laser 2-component analyzer	CO+O <sub>2</sub> (Air purge)	CO	200 ppm	2 vol%	400 to 1200°C	Air	V
		O <sub>2</sub>	25 vol%	100 vol%			
	CO+O <sub>2</sub> (High temperature)	CO	200 ppm	2 vol%	1200°C or less	N <sub>2</sub>	U
		O <sub>2</sub>	5 vol%	50 vol%			
	CO+O <sub>2</sub>	CO	4 vol%	50 vol%	300°C or less		S
		O <sub>2</sub>	10 vol%	100 vol%			

Note 1) Min. and Max. measuring range in the above table are for measuring path length (stack length) of 1m. See below on the ranges for other path lengths.

### Calculation method of measuring range for optical path length other than 1m

Measuring range = [Min. or Max. range ÷ path length in Table 1]

<p>Ex. 1) CO analyzer, path length 5m            Max. range: 2 vol% ÷ 5m = 4,000ppm            Min. range: 200ppm ÷ 5m = 40ppm            Therefore, measuring range is between 0 to 40 …4,000ppm</p>	<p>Ex. 2) CO analyzer, path length 0.5m            Max. range: 2 vol% ÷ 0.5m = 4 vol%            Min. range: 200ppm ÷ 0.5m = 400ppm            Therefore, measuring range is between 0 to 400ppm …4 vol%</p>
---	--

**Measurement principle:**

Non-dispersive infrared absorbance system (NDIR)

**Measuring method:**

Cross-stack system (path system)

**Use application:**

Waste incineration plant, industrial waste disposal facility, power plant iron and steel plant, paper plant, pulp mill, chemical plant and biopant etc...

**Light source:**

Near-infrared laser

**Laser class:**

Class 1 (High temperature version and instrument air purge version fall under CLASS 3B)

**Dimensions:**

Refer to outline diagram

**Mass:**

Receiver/Transmitter unit: Approx. 10kg

Control unit: Approx. 8kg

**Structure:**

Outdoor use type, dustproofing/rainproofing structure (IP65)

**Box finish color:**

Receiver/Transmitter box: gray

Control unit cover: blue

Control unit case: silver

**Material:**

Receiver unit / Transmitter unit: Aluminum, SUS316

Control unit: Aluminum

**Materials of gas-contacting parts:**

SUS316, BK7, FKM, PTFE, glass-cloth, silicone

**Air purge connection diameter:**

RC1/4 (tube  $\varnothing 10 \times 8$ )

**Power supply:**

Rated voltage 100 to 240 V AC

(operating voltage 90 to 264 V AC)

Rated frequency 50/60 Hz

**Power consumption:**

Max. rated power: Approx. 80VA or less

**Calibration interval:**

Once every six months (Maintenance cycle may vary with conditions and environment of use.)

**Indicator (control unit):**

LCD with back light

**Communication functions:**

RS-485(Modbus<sup>®</sup> protocol)

**Cable length:**

Receiver unit to Transmitter unit: Standard 2m (Maximum 25m)

Receiver unit to control unit: Standard 5m (Maximum 100m)

**Analog output: Non-insulation, 2 or 4 points**

4 to 20mA DC or 0 to 1V DC

(1 to 5V DC, 0 to 5V or 0 to 10V is available.)

Allowable load: 4 to 20mA DC 550 $\Omega$  or less, 0 to 1V DC 100k $\Omega$  or more

(Output measurement value and O<sub>2</sub> corresponding value. Average value and instantaneous value are switchable by the settings.)

**Analog input: 2 points**

4 to 20mA DC

Measured gas pressure, measured gas temperature, measured gas velocity, O<sub>2</sub> gas concentration, water concentration, air purge pressure

(Measurement concentration correction, O<sub>2</sub> correction or alarm output is performed according to the input signal.)

**Contact output: 5 points**

Relay contact output (contact capacity: 24 V DC, 1A)

1a contact output: low light transmission, outside the range of upper/lower limits, device failure, during hold/during calibration

1 form B output: power supply off

**Contact input (option): 3 points**

Photo coupler receiver contact input (operating voltage 12 to 24V DC / 5 to 20mA)

Average value reset signal, switching instantaneous value/moving average value and remote hold

**Alarm output (screen-displayed):**

LD failure, LD temperature error, high gas temperature, air purge (low pressure), box temperature warning, low light transmission, PD over range, connection error, AI under, Range (H-Limit) or Range (L-Limit)

**Display contents:**

Component, concentration (instantaneous value, average value O<sub>2</sub> correction instantaneous value and O<sub>2</sub> correction average value), alarm (fault status)

## CONTACT OUTPUT CONTENTS

**Low light transmission (1a contact):**

Contact output is performed (close) when the amount of light transmission is insufficient.

**Outside the range of upper/lower limits (1a contact):**

According to the preset upper or lower limit alarm value, contact output is performed (close) when it becomes lower than alarm upper/lower limit.

**Device failure (1a contact):**

Contact output is performed (close) when laser failure, laser temperature control failure, exceeding the amount of light transmission or communication error are occurred.

**During hold/during calibration (1a contact):**

While AO output is held by the hold setting, the values, output (close) of which is held, is the ones just before the holding or arbitrary set values.

Output (close) during calibration

**Power supply off (1b contact):**

Output (close) while power supply is off

## CONTACT INPUT CONTENTS (OPTION)

**Average value reset signal:**

Output of converted average value is started from the initial state by applying rectangular-wave voltage (pulse width 2 sec or more) to the input terminal of average value resetting. Output is reset by inputting and restarted by opening.

**Switching instantaneous value/moving average value:**

Switching to and from the instantaneous value and the average value of the analog output is performed by applying rectangular-wave voltage (pulse width 2 sec or more) to the input terminal for switching between the instantaneous value and the moving average values.

**Remote hold:**

The analog output is held by applying rectangular-wave voltage (pulse width 2 sec or more) to the remote hold input terminal, and restarted by applying it again.

## FUNCTIONS

### O<sub>2</sub> correction:

Conversion of measured HCl, NH<sub>3</sub> and CO gas concentrations into values at standard O<sub>2</sub> concentration

Correction formula:

$$C = \frac{21 - O_n}{21 - O_s} \times C_s$$

C: Converted concentration

C<sub>s</sub>: Measured concentration of sample gas

O<sub>s</sub>: Measured O<sub>2</sub> concentration (Upper limit settable 1 to 20% O<sub>2</sub>)

O<sub>n</sub>: Standard O<sub>2</sub> concentration (value changeable by setting; 0 to 19% O<sub>2</sub>)

The result of calculation is indicated and output in an analog output signal.

## INSTALLATION ENVIRONMENT

### Ambient temperature:

-20 to 55°C (Receiver unit/Transmitter unit), -5 to 45°C (control unit)

### Ambient humidity:

90% R.H. or less

### Measurable optical path length (inner diameter of stack):

0.5 to 5m

### Standard flange:

JIS10K 50A flange (JIS B 2212)

### Purge:

Instrument air (compressor must be installed when power supply cannot be provided. Does not contain oil and mist). Use N<sub>2</sub> gas except for air purge version. Pressure 0.5MPa or more depending on measured gas velocity.

### Purge flow rate:

20L/min or more (depending on measured gas temperature, velocity, pressure, moisture and dust)

One-side air purge flow rate: (L/min) = Gas flow rate (m/s) × 10 (in case of 50A pipe)

### Measured gas condition:

Temperature: Refer to page 1.

Pressure:

±10kPa (O<sub>2</sub> for combustion control is -10kPa to 100kPa)

Moisture:

50vol% or less (no condensation)

Velocity:

Range of purge flow rate (gas flow rate (m/s) = one side flow rate (L/min / 10)

Note) When measuring high-temperature gas at 500°C or higher, install a pressure sensor on the air-purge unit to monitor air purge. If measurement is taken while purge is not performed, the device may be damaged.

### Dust (Enhanced dust resistance is available):

Dust resistance depends on conditions such as measuring component, equipment specification, optical path length, and particle diameter. Consult us for use in a dusty environment.

### Vibration:

0.5G or less (0.2G or less when the frequency range is 20 to 40Hz) (when optical path length is 1m)

### Mounting angle:

Horizontally ±5 degrees or less (No dew condensation should accumulate on the window.)(Refer to page 11.)

## PERFORMANCE (AT 25°C AMBIENT TEMPERATURE, 0.1 MPA AMBIENT PRESSURE)

### Repeatability:

±2.0%FS (depending on measuring component and measuring range)

### Linearity:

±3.0%FS (depending on measuring component and measuring range)

### Zero drift:

±4.0% FS (depending on measuring component and measuring range)

### Interference from other gas components:

±2.0%FS

### Minimum detectable limit:

1% of minimum detectable limit

### Response time (90% FS response):

1 to 4 seconds (high-speed type: approx.1 to 2seconds)

### Warm up time:

90 minutes or less

## EC DIRECTIVE COMPLIANCE $\text{CE}$ (APPLICATION PENDING)

### Low voltage safety:

EN61010-1(2010)

EN62311(2008)

EN60825-1: 1993, A1: 1997, A2: 2001

### Electromagnetic:

"Installation Category II"

### Compatibility

EN61326-1(2006)

EN61326-2-3(2006)

EN61000-3-2(2006), A1(2009), A2(2009)

EN6100-3-3(2008)

### Measuring category:

II(CAT II)

# CODE SYMBOLS

When ordering, be sure to submit the order sheet on the last page of this Data Sheet.

ZSS 

4	5	6	7	8	9	10	11	12	13	14	15	16	17	18	19	20	21	22	
				6	-			A		-				0				-	N

Digit	Specification	Note	Code			
4	Measurable components		ppm CO + O <sub>2</sub> (Air purge)	V		
			ppm CO + O <sub>2</sub> (High temperature)	U		
			vol% CO + O <sub>2</sub>	S		
5	Unit		ppm (1st comp), vol% (2nd comp)	7		
			vol% (1st comp), vol% (2nd comp)	9		
6	Measuring range (CO)	Note 1, 2	0 to 2	K		
			0 to 2.5	Q		
			0 to 4	S		
			0 to 5	L		
			-----			
			0 to 10	V		
			0 to 15	0		
			0 to 20	1		
			0 to 25	T		
			0 to 50	A		
			-----			
			0 to 100	B		
			0 to 200	C		
			0 to 250	D		
			0 to 400	J		
0 to 500	E					
-----						
0 to 1000	F					
0 to 2000	G					
0 to 5000	H					
0 to 6000	M					
Others	X					
7	Measuring range (O <sub>2</sub> )	Note 1, 2	0 to 5	L		
			0 to 10	V		
			-----			
			0 to 15	0		
			0 to 20	1		
			0 to 25	T		
			0 to 50	A		
0 to 100	B					
Others	X					
9	Flange rating		10K 50A (JIS B 2212)	A		
			10K 100A	B		
			DN50/PN10	C		
			ANSI #150 2B	D		
10	Number of analog output points		2 points	0		
			4 points	1		
11	Number of analog input points		2 points	A		
12	Analog output		4 to 20mA DC	1		
			0 to 20mA DC	2		
			0 to 1V DC	3		
			0 to 5V DC	4		
			1 to 5V DC	5		
13	Contact output/ input		5 output points, No input	0		
			5 output points, 3 input points	1		

Digit	Specification	Note	Code	
14	Cable length between receiver and control unit		5m	A
			10m	B
			20m	C
			30m	D
			40m	E
			50m	F
			80m	G
			100m	H
Others	X			
15	Cable length between receiver and transmitter		2m	A
			5m	B
			10m	C
			15m	D
			20m	E
			25m	F
			Others	X
16	Display and operation manual		Japanese	J
			English	E
			Chinese	C
17	-		0	
18	Measuring optical path length (unit: 1m)		0m	0
			1m	1
			2m	2
			3m	3
			4m	4
5m	5			
19	Measuring optical path length (unit: 0.1m)		0.0m	0
			0.1m	1
			0.2m	2
			0.3m	3
			0.4m	4
			0.5m	5
			0.6m	6
			0.7m	7
			0.8m	8
0.9m	9			
20	Measuring optical path length (unit: 0.01m)		0.00m	0
			0.05m	5
			(Used only when 10m is specified)	9
21	-		N	
22	High-dust, High-speed, AGC		None	N
			Provided	Note 3 H

Note 1) When using CO + O<sub>2</sub> measurement, select a "CO measuring range" in the 6th digit, and a "O<sub>2</sub> measuring range" in the 7th digit.

Note 2) Specify the range within the max./min. range calculated from optical path length.

Note 3) Select "H" for O<sub>2</sub> analyzer for high dust, high-speed, and combustion control.

## LIST FOR COMBINATIONS OF MEASURABLE COMPONENTS, UNITS AND MEASUREMENT RANGES

Component	Measuring range	
CO+O <sub>2</sub> (For use air purge)	1st comp.: CO	0 ~ 200, 250, 400, 1000, 2000, 5000, 6000 ppm, 2vol%
	2nd comp.: O <sub>2</sub>	0 ~ 25, 50, 100 vol%
CO+O <sub>2</sub> (For use in high temp.)	1st comp.: CO	0 ~ 200, 250, 400, 1000, 2000, 5000, 6000 ppm, 2vol%
	2st comp.: O <sub>2</sub>	0 ~ 5, 10, 15, 20, 25, 50 vol%
CO+O <sub>2</sub> (vol%CO+ O <sub>2</sub> )	1st comp.: CO	0 ~ 4, 5, 10, 15, 20, 25, 50 vol%
	2st comp.: O <sub>2</sub>	0 ~ 10, 15, 20, 25, 50, 100 vol%

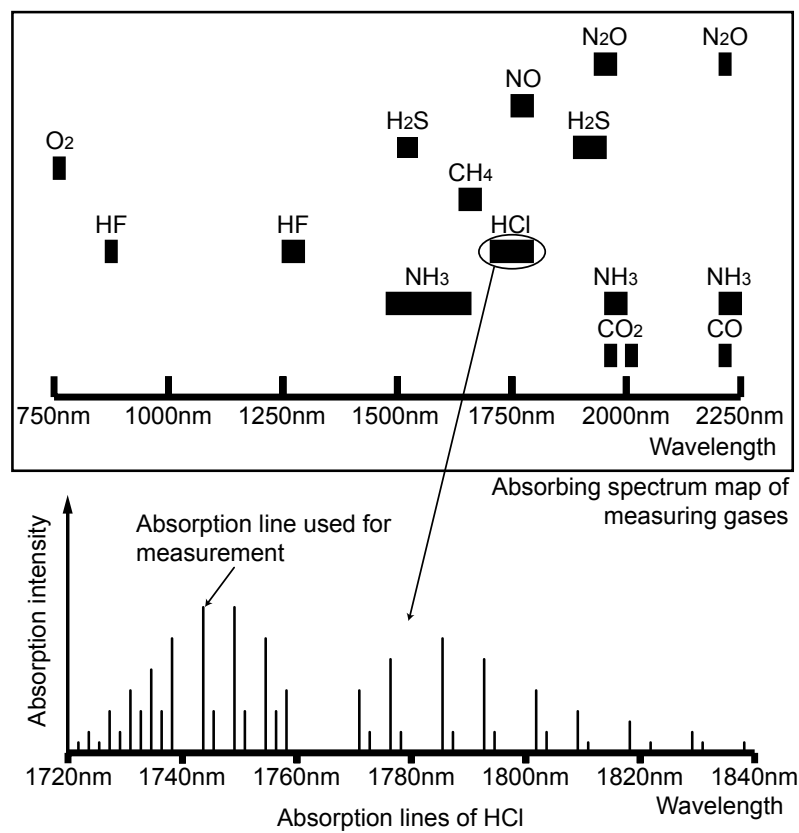
## BASIC PRINCIPLE

Near-infrared semiconductor laser is adopted for the light source and photo-diode is adopted for photo-detection. Each measured gas component has its own wavelength range where the gas absorbs the light (see the figure below).

The wavelength range consists of a set of many absorption lines, and one of these lines is used for measurement.

As measurement is performed in this very narrow wavelength range, no other gas does not have an interference in principle.

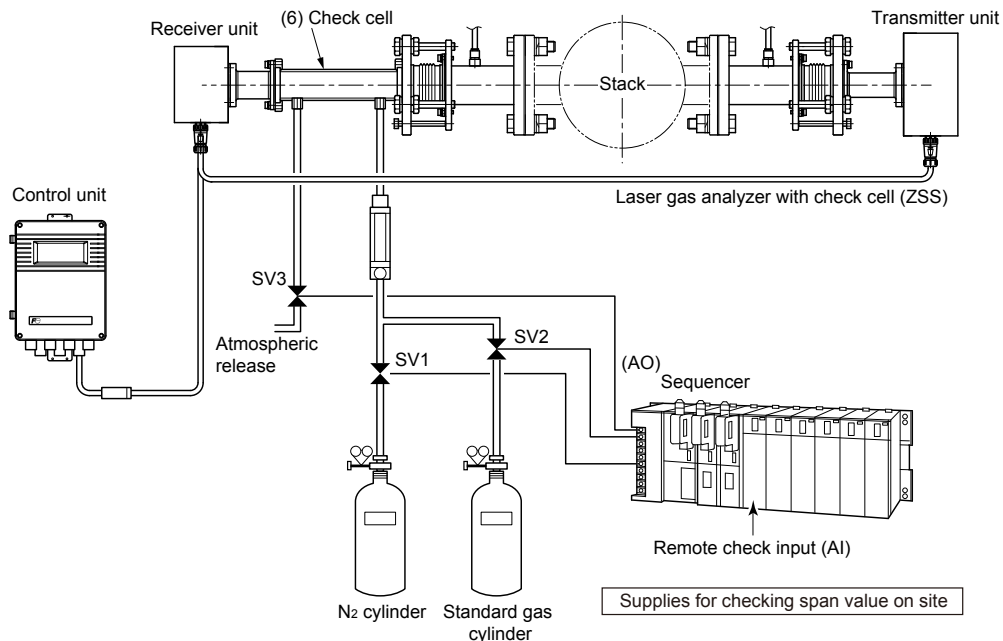
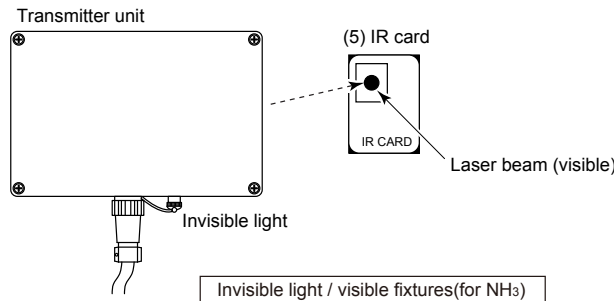
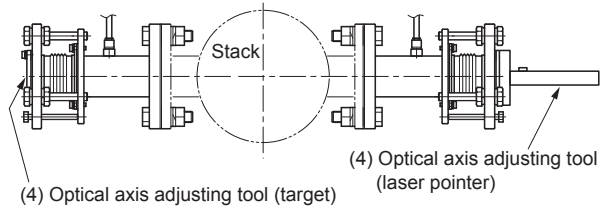
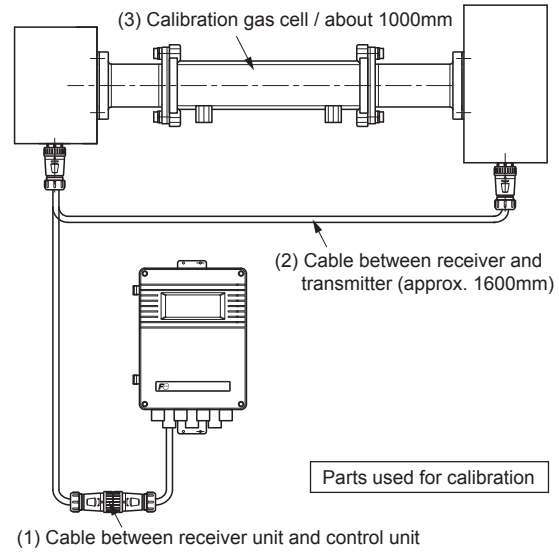
To detect the gas concentration, used is not a variation of light intensity, but intensity of modulated signal amplitude.



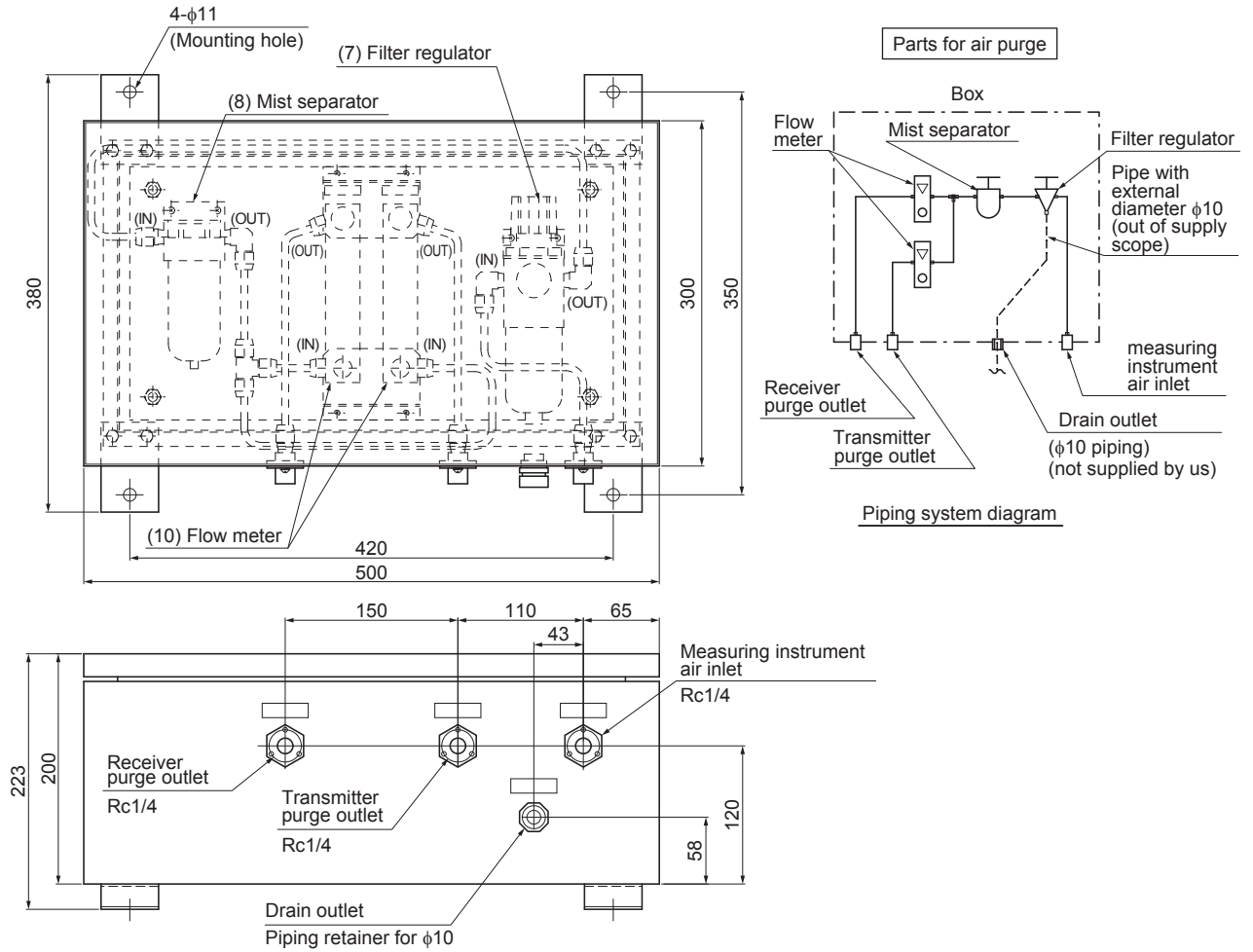
### CALIBRATION/INSTALLATION FIXTURES LIST (OPTION)

	Parts name	Quantity	Type
(1)	Cable between receiver unit and control unit (for calibration)	1	ZZP*ZSSTK4J1271C2
(2)	Cable between receiver unit and transmitter unit (for calibration)	1	ZZP*ZSSTK4J0641C3
(3)	Calibration gas cell (*3) (CO+O <sub>2</sub> )	1	ZZP*ZSSTK4J5026C1
(4)	Optical axis adjusting tool (laser pointer, target)	1	ZZP*ZSSTK4J1274C1
(5)	IR card (for NH <sub>3</sub> )	1	ZZP*ZSSTK7N4505P1
(6)	Check cell	1	ZZP*ZSSTK4J2605C1
(7)	Filter regulator	1	ZZP*ZSSTK7N7466P1
(8)	Mist separator	1	ZZP*ZSSTK7H8049P1
(9)	R1/4 stopper (plug) for mist separator	1	ZZP*ZSSTK738114P7
(10)	Flow meter (20 to 100L/min) (*4)	1	ZZP*ZSSTK7N4624P1
	Flow meter (4 to 50L/min) (*4)	1	ZZP*ZSSTK7N4624P2
	Flow meter (30 to 300L/min) (*4)	1	ZZP*ZSSTK7N8849P1
(11)	Air-set box (20 to 100L/min)	1	ZZP*ZSSTK7N6685C1
	Air-set box (4 to 50L/min)	1	ZZP*ZSSTK7N6685C2
	Air-set box (30 to 300L/min)	1	ZZP*ZSSTK7N6685C3
(12)	Air purge mechanism (20 to 100L/min)	1	ZZP*ZSSTK7P1433C1
	Air purge mechanism (4 to 50L/min)	1	ZZP*ZSSTK7P1433C2
	Air purge mechanism (30 to 300L/min)	1	ZZP*ZSSTK7P1433C3
(13)	BNC cable for optical axis adjustment	1	ZZP*ZSSTK7P2524C1

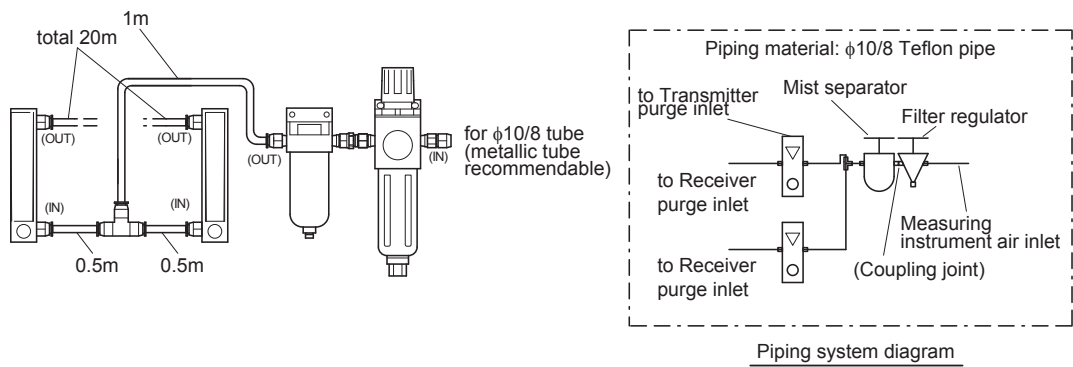
- \* 3: Standard length 1m (250mm or 500mm when the measuring range is low concentration)
- \* 4: Usually, 2 units are required to adjust each air purge for receiver unit and transmitter unit.



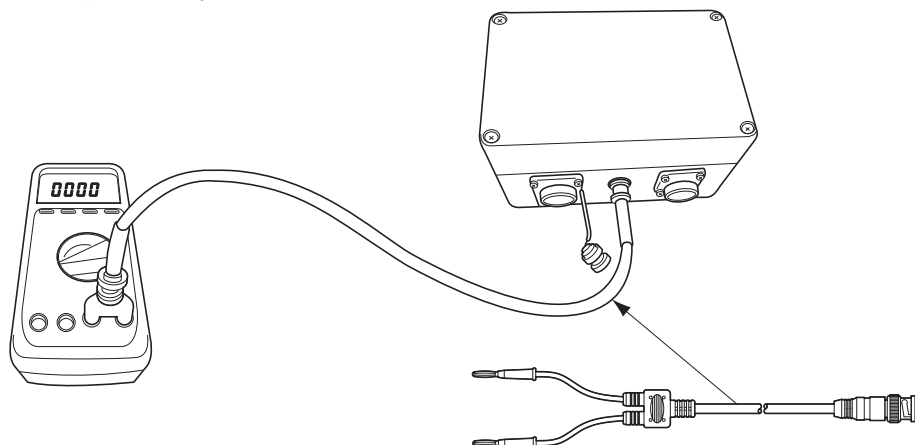
(11) Air set box



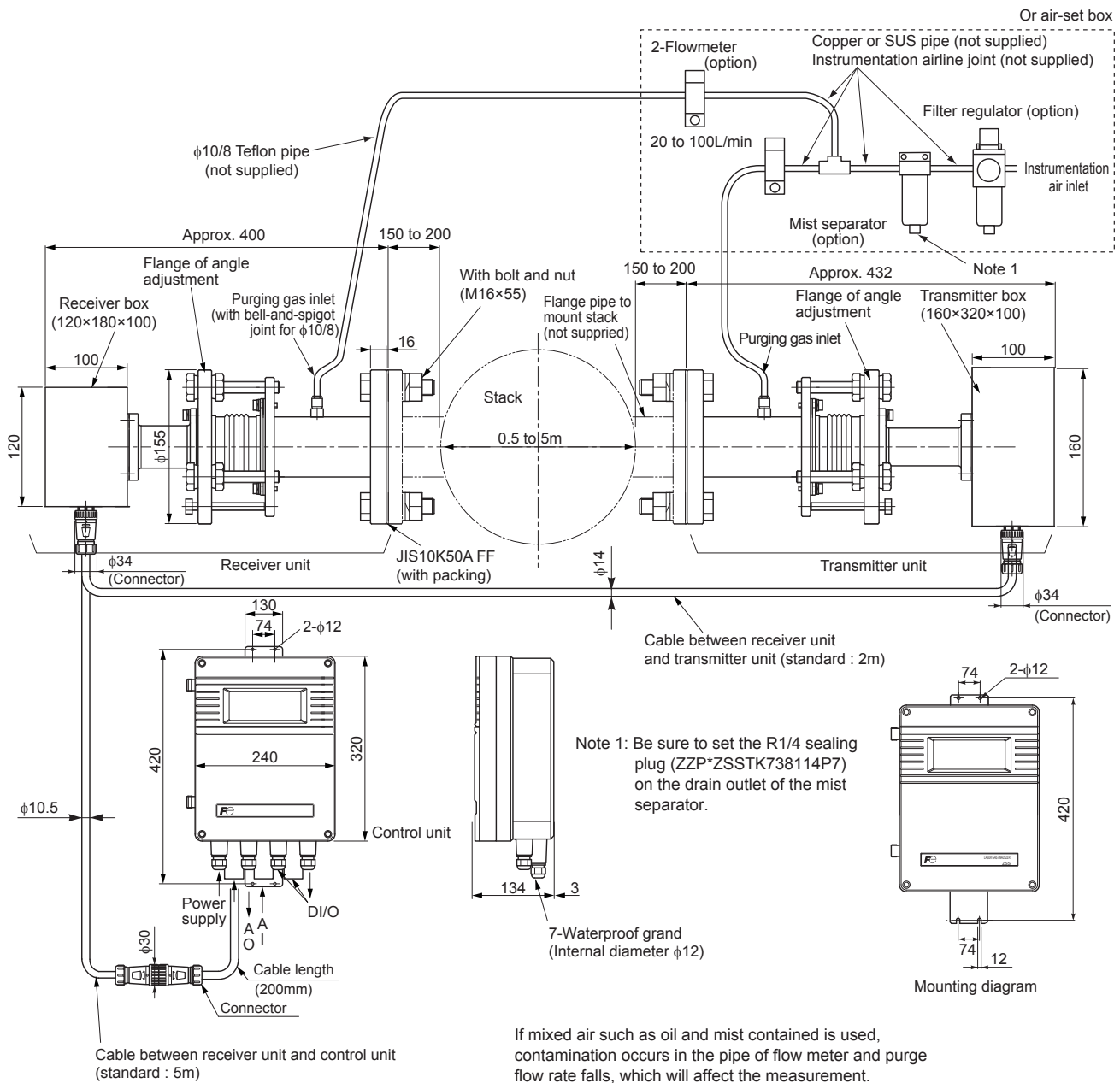
(12) Air purge mechanical part



(13) BNC cable for optical axis adjustment



OUTLINE DIAGRAM (Unit : mm)

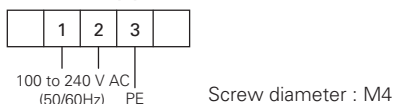


If mixed air such as oil and mist contained is used, contamination occurs in the pipe of flow meter and purge flow rate falls, which will affect the measurement. According to above, maintenance is required frequently and filter may be installed additionally depending on situation. Note) Air or nitrogen purge should be performed if the equipment is installed in a flue whether or not it is operated. If you operate the furnace without purging, it may cause the fatal damage to the optical part.



# EXTERNAL CONNECTION DIAGRAM

## Power supply terminal



## AO terminal

17	18	19	20	21	22	23	24	25	26	27	28	29	30	31	32
1	2	3	4	5	6	7	8	9	10	11	12	13	14	15	16

Screw diameter : M3

- 1 AO1+ ] Analog output 1
- 2 AO1- ] Analog output 1
- 3 AO2+ ] Analog output 2
- 4 AO2- ] Analog output 2
- 17 AO3+ ] Analog output 3
- 18 AO3- ] Analog output 3
- 19 AO4+ ] Analog output 4
- 20 AO4- ] Analog output 4

## AI terminal

17	18	19	20	21	22	23	24	25	26	27	28	29	30	31	32
1	2	3	4	5	6	7	8	9	10	11	12	13	14	15	16

Screw diameter : M3

- 5 AI1+ ] Analog input 1
- 6 AI1- ] Analog input 1
- 21 AI2+ ] Analog input 2
- 22 AI2- ] Analog input 2

## DI/DO terminal

17	18	19	20	21	22	23	24	25	26	27	28	29	30	31	32
1	2	3	4	5	6	7	8	9	10	11	12	13	14	15	16

Screw diameter : M3

- 7 DO1 ] Low light transmission
- 8 DO1 ] Device failure
- 9 DO2 ] Device failure
- 10 DO2 ] Device failure
- 11 DO3 ] During hold/during calibration
- 12 DO3 ] During hold/during calibration
- 23 DO4 ] Outside the range of upper/lower limits (O<sub>2</sub>)
- 24 DO4 ] Outside the range of upper/lower limits (O<sub>2</sub>)
- 25 DO5 ] Outside the range of upper/lower limits (CO)
- 26 DO5 ] Outside the range of upper/lower limits (CO)
- 27 DO6 ]
- 28 DO6 ]
- 13 DI1 ] Average value reset signal (option)
- 14 DI1 ] Average value reset signal (option)
- 29 DI2 ] Switching instantaneous value/moving average value (option)
- 30 DI2 ] Switching instantaneous value/moving average value (option)
- 31 DI3 ] Remote hold (option)
- 32 DI3 ] Remote hold (option)

Note) Unassigned terminal may be connected to internal circuit. So they should not be used as repeating terminals.

## SCOPE OF DELIVERY

- Receiver box
- Transmitter box
- Control unit
- Angle adjustment mechanical section (required 2 units, one for receiver and the other for transmitter)
- Cable between receiver unit and transmitter unit (specified length)
- Cable between receiver unit and control unit (specified length)
- Standard accessory set, instruction manual

## OPTIONAL ITEMS

- Spare parts for one year (ZBN1SS12)
- Calibration gas cell (\*1) (\*2)
- Cable between receiver unit and transmitter unit (For calibration) (\*1)
- Cable between receiver unit and control unit (For calibration) (\*1)
- Standard gas (ZBM), pressure regulator (ZBD)
- Recorder (when necessary, Fuji's product type PHL/PHF, etc.)
- Others

\*1: One set of the cables and calibration gas cell are necessary for installation and annual maintenance.

\*2: The length of the calibration gas cell may vary with measurement ranges.

## STANDARD ACCESSORIES

Name	Quantity	Specification
Bolt	8 (16)	M16×55 (70) SUS (*)
Nut	8 (16)	M16 SUS (*)
Spring washer	8 (16)	M16 SUS (*)
Flat washer	8 (16)	M16 SUS (*)
Companion flange packing or flange packing specified for use in high temperature	2	According to flange specifications
Bolt for angle adjustment	6	Hex socket bolt M8 × 70
Power supply fuse	2	
Connecting bolt between receiving unit and transmitter unit	12	Hex socket bolt M5 × 12

(\*When "B" or "C" is specified in the 9th digit in a code symbol, quantity is 16 pieces. 8 pieces are attached in other cases.)

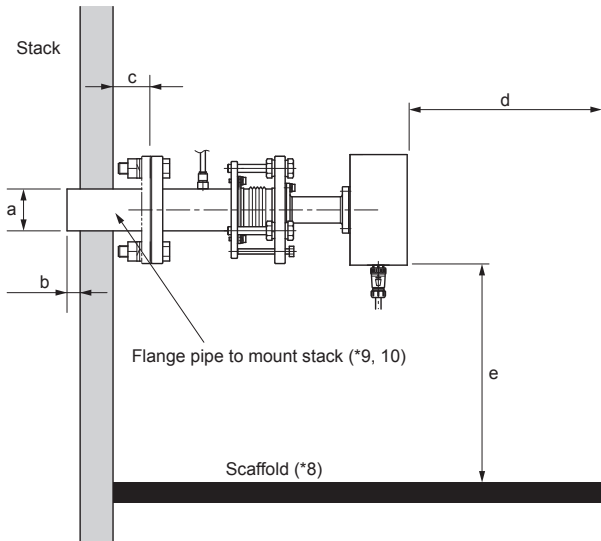
(\*When "B", "C" or "D" is specified in the 9th digit, Bolt length is 70mm. It is 55mm in other cases. Inch-sized bolts are not applicable.)

## SPARE PARTS FOR ONE YEAR (ZBN1SS12)

Name	Quantity	Remarks
Silicon packing A	2 pieces	For bellows (ZZP*ZSSTK7N3508P1)
O-ring	2 pieces	(ZZP*ZSSTK7P2530P5)

## MOUNTING DIMENSIONS (Unit: mm)

Do not install the device in a stack if air purge is not performed.  
It may become unusable because the window will get dirty.

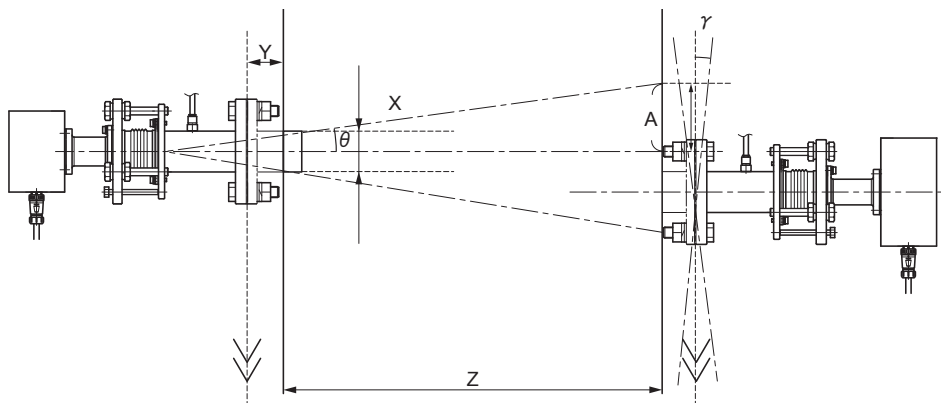


- a: Inner diameter of  $\phi 50\text{mm}$  or more
- b: 20 to 70mm (\*5)
- c: Approximately 200 to 250mm (\*6)
- d: 400mm or more (\*7)
- e: 500 to 1500mm (\*7)

- \*5: When used in an environment with high dust, reserve at least 50mm.
- \*6: When internal gas temperature is high ( $500^{\circ}\text{C}$  or more), reserve the distance of 400mm or more. Note that, adjustable angle range narrows down, so mounting angle of flange pipe to mount stack should be adjusted accurately.
- \*7: Sufficiently secure a space for installation which permits easy operation.
- \*8: Scaffold is required for the both side of receiver unit and transmitter unit.
- \*9: Use a flange provided with a valve where there is a risk of gas injection or the operator may be exposed to dangerous situation.
- \*10: Tighten the flange with a torque of  $118 \pm 14\text{N.m}$ . When tightening the flange, apply grease to the bolts (recommendable to use grease containing molybdenum).

## ROUGH GUIDE TO MOUNT THE COMPANION FLANGE

When  $\theta$  is larger than  $5^{\circ}$ , attach the companion flange with the  $\gamma$  angle  $\leq 5^{\circ}$  inside the circumference of radius A.



- X: Inner diameter of flange of receiver unit and transmitter unit
- Y: Distance between the outer wall of the duct and each flange of the transmitter unit and the receiver unit
- Z: Length of stack

$$\gamma, \theta = \tan^{-1} \frac{X}{2(Y + 125)}$$

$$A \approx 0.087 \times (Z + Y + 125)$$

$$\tan 5^{\circ} \approx 0.087$$

Please specify the following items when you contact us for inquiry.

1. Code symbol ZSS

2. Parameter of measured gas

Item	Min. value	Typical value	Max. value
Measured gas concentration (CO)			
Measured gas concentration (O <sub>2</sub> )			
Temperature (°C)			
Pressure (kPa)			
Flow (m/s)			
Moisture (vol%)			
Dust (mg/m <sup>3</sup> (N))			
Other gas component (vol%/ppm)			
Other gas component (vol%/ppm)			
Other gas component (vol%/ppm)			

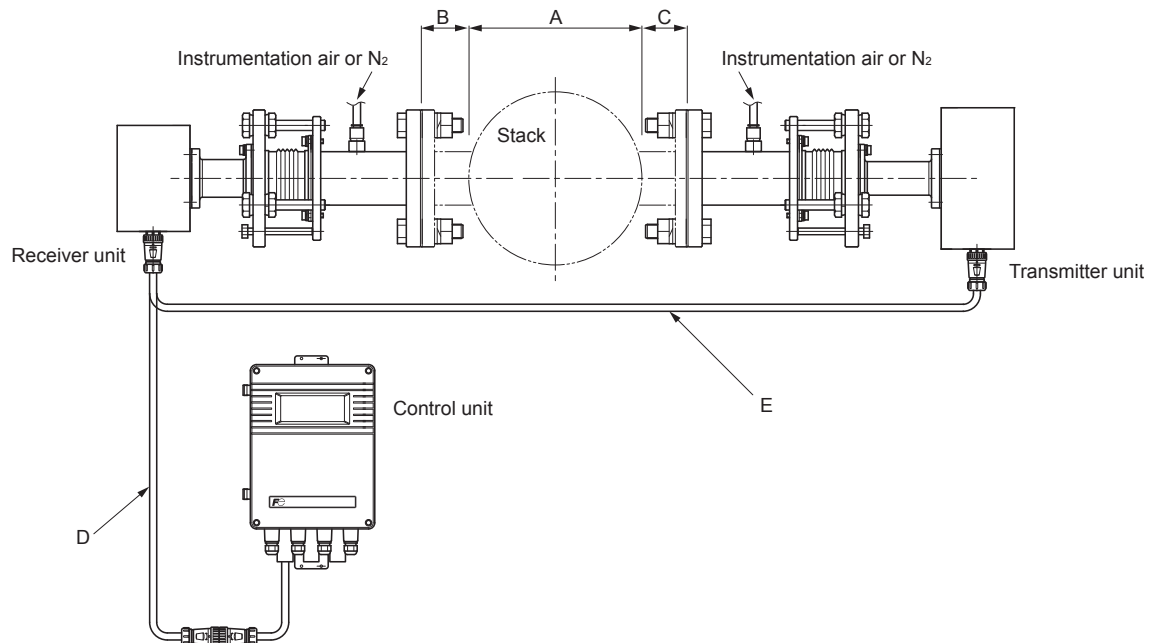
3. Stack diameter (Inner diameter) (measured optical path length) A  m

4. Length B from stack (inner diameter) to flange B  m

5. Length C from stack (inner diameter) to flange C  m

6. Cable between receiver unit and control unit. D  m

7. Cable between receiver unit and transmitter unit. E  m



8. Spares for 1-year measurement

no need/necessary

9. Optional items

no need/necessary

10. Output of O<sub>2</sub> correction value

no need/necessary

11. Oxygen correction reference value (%) (When "necessary" is selected in 8)

\_\_\_\_%

12. Vibration

no need/necessary ( \_\_\_\_G)

⚠ Caution on Safety

\*Before using this product, be sure to read its instruction manual in advance.

---

## **JCT Analysentechnik GmbH**

Werner Heisenberg-Straße 4 A-2700 Wiener Neustadt  
Tel. +43 (0) 2622 / 87201 Fax +43 (0) 2622 / 872011  
E-Mail: [sales@jct.at](mailto:sales@jct.at) Web: [www.jct.at](http://www.jct.at)

