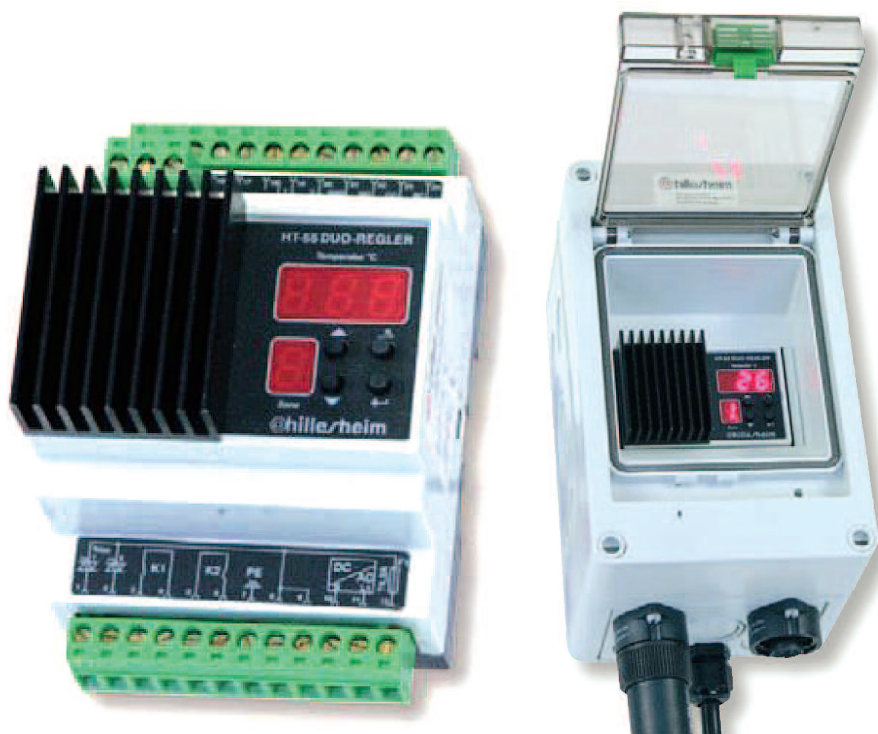




JCT
Analysentechnik

HT-55 / HT-55H Auto Tuning Dual Temperature Controllers



APPLICATION

- Dual temperature controller for e.g. all **JCT** heated sample lines
- Dual temperature controller with additional excess temperature limiter via mechanical relays in case of alarm
- Single temperature controller (Triac or SSR) with limiter function (permanent shut-off via mechanical relay)
- Also universally applicable to control two different devices

BENEFITS

- Depending on application selectable between three different controller outlets with two channels each
- Both channels separately configurable
- Also as controller limiter combination applicable
- Switch-off temperature adjustable (0°C to 500°C)
- Self optimizing of control parameters
- Alarm relay for 6 A
- Robust and compact design

FEATURES

- Wall mounting or rail mounting housing
- 3-digit LED indication
- Film keypad with 4 push buttons
- Controller outputs with 2 Triacs each, mechanical relay or 12 VDC to control Solid State Relays

Gas Sampling
Probes

Heated Sample Lines

Sample Gas
Coolers

Condensate
Treatment

Accessories

Gas Conditioning
Systems

Sample Gas
Converters

TECHNICAL DATA

Model	HT-55	HT-55H
Description	self optimising compact dual controller	
Order code		
Connections	with pluggable terminals	with multi-pole sockets suitable for heated sample lines

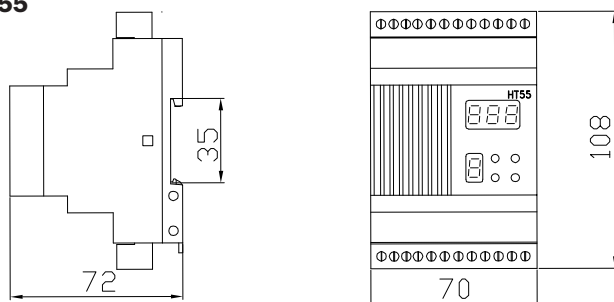
Construction

Installation	rail mounting on 35 x 7,5 mm carrier rail according to DIN 50022	wall mounting
Dimensions (H x B x T)	72 x 70 x 90 mm (without terminals)	200 x 125 x 123mm
Degree of protection	IP 40 (EN 60529)	IP 65 (EN 60529)
Protection class	I	II
Operation	4 push buttons	
Approvals	CE	

Electrics

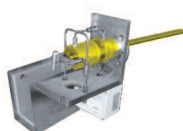
Power supply	230 VAC 50 Hz, or 24 VDC, optional 115 VAC 50 to 60 Hz	
Noise immunity	EN 50 082-2	
Emitted interference	EN 50 081-1	
Sensor types	Fe-CuNi (J), NiCr--Ni (K), PT 100 DIN/IEC, sensor breakage protection, sensor polarity reversal control, sensor short circuit control	
Fault limit	1 % of relative temperature	
Actual / rated value	3-digit LED-display (13 mm high) scan-operation between channel 1 and 2	
Display / measuring range	-199 to +999 digits	
Controller output A	via 2 internal Triacs max. power 1200 W for both channels together	
Controller output B	via 2 mechanical switching relays 16 A switching power 2 x 1500 W at 230 VAC	
Controller output C	2 x 12 VDC to trigger Solid State Relays for switching high powers	
Configuration	as double controller, each channel is separately configured as controller / limiter one channel is monitoring the other	
Special functions	self optimising of controller parameters, for quick adaption to ambient conditions safety operation mode by upstream connection of the relays to the Triac control to switch off in case of fault alarm, set point limitation and set point correction adjustable	
Status contact	1 volt free changeover contact 24 V / 1 A	
Optional	2 independant 4 to 20 mA inputs for external set point setting of both channels	

Dimensions HT-55



Dimensions in mm

Gas Sampling **Probes**



Heated Sample **Lines**



Sample Gas **Coolers**



Gas Conditioning **Systems**



NOx **Converter**



and **solutions** for

