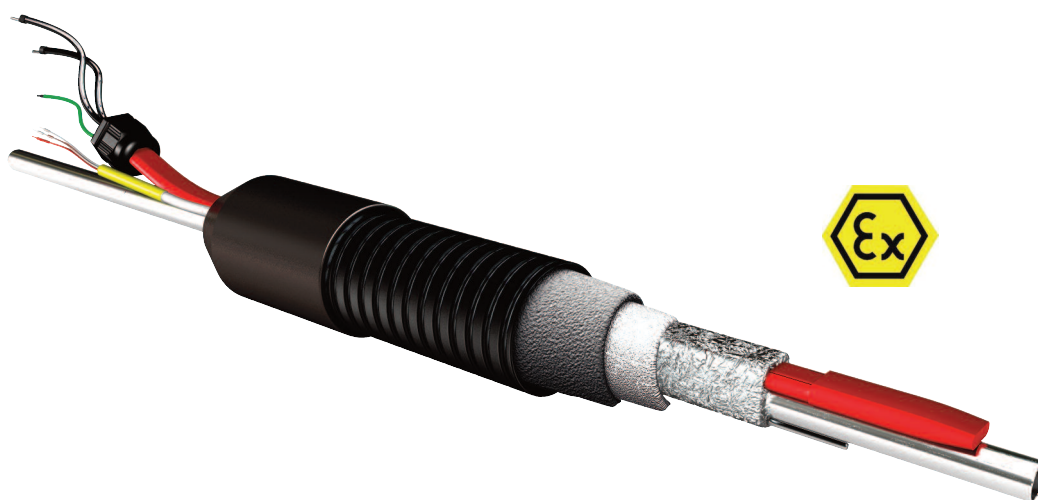




JH3BEX

Heated Sample Line self-regulating cut to length

JCT
Analysentechnik



Gas Sampling
Probes

Heated Sample Lines

Sample Gas
Coolers

Condensate
Treatment

Accessories

Gas Conditioning
Systems

Sample Gas
Converters

APPLICATION

- Extractive gas analysis
- Emission and process monitoring
- Installation in Zone 1, 2 or 21, 22
- Transport of sample gas from sample point to analysis system
- To stay safely above the acid dew point
- Protection against freezing
- To prevent measurement faults
- Indoor and outdoor use

BENEFITS

- No condensate formation, no freezing
- Robust external protection
- Excellent insulation
- Optimal heat deployment
- Easy to cut to length and assemble at site
- Available per meter (max. 130 m per roll)

FEATURES

- Maintain temperature up to 120 °C
- External jacket of corrugated polyamide PA12
- Heat insulation with thermo fleece
- Maximum length of heated line: 65 m
- Inner core: PTFE, PFA or SS316, DN 4 to DN 8
- Complete assembling sets with connection cable and silicone end caps or ready for use ex works
- Second core for e.g. calibration gas as option

TECHNICAL DATA

Model

JH3BEX

Description	self-regulated heated sample line to cut to length
External jacket	corrugated polyamide 11/12 jacket, black, electrically conductive
Inner core	fixed
Area of application	fixed installation indoor and outdoor

Operation Data

Operating temperature	max. 120 °C at -20 °C T _{amb.} and at 230 VAC U _v *
Operating pressure (max. at 20 °C)	DN 4/6 mm 12 bara DN 6/8 mm 8 bara DN 8/10 mm 6,5 bara
Ambient temperature	-20 °C to +100 °C

Construction

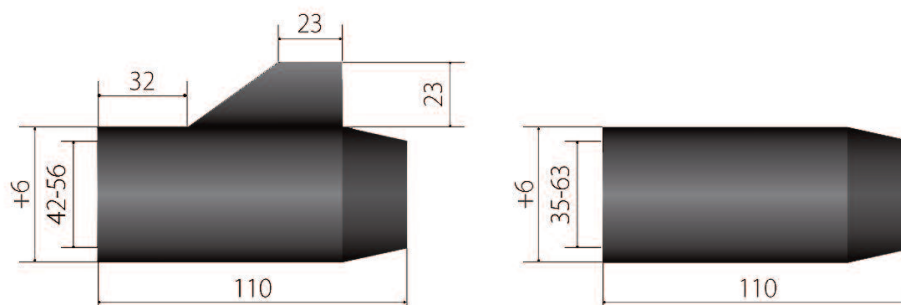
Material inner core	PTFE, optional PFA or SS316
heating element	Heating cable with protection braid, ATEX-certified, Certificate no: PTB 09ATEX1029 U
Thermal insulation	multi-layered thermal fleece
End configuration	silicone caps
Maximum length of finished sample line	65 m
Outer diameter	for holding temperatures up to 100 °C: 43 mm for holding temperatures of 100 °C to 120 °C: 55 mm
Minimum bending radius	DN 4/6 and DN 6/8 mm: 230 mm DN 8/10 and DN 10/12mm: 280 mm with interchangeable inner core: DN 4/6 and DN 6/8 mm: 280 mm DN 8/10 and DN 10/12mm: 330 mm
Weight	1000 g/m
Temperature resistance external jacket	max. 100 °C
Production length per roll	max. 130 m
Dimensions silicone end caps	L = 110 mm, Ø 49 mm (without electrical connection) L = 110 mm, Ø 72 mm (with electrical connection)
Type of protection	for 5 °C to 30 °C: ⚠ II 2G Ex e IIC T6 Gb II 2D Ex tb IIIC TX Db for 50 °C to 120 °C: ⚠ II 2G Ex e IIC T3 Gb II 2D Ex tb IIIC TX Db
Protection class	IP 54 (EN60529)
Approvals / Sign	CE

Electrics

Power supply	230 VAC 50/60 Hz +5 / -10 %, 115 VAC on request
Power consumption	depends on selected heating tape
Temperature sensor	PT100 (accessory)
Connection cable	1 m excess heating cable length with M 25 x 1,5 Ex proof-screwed cable gland

* At voltages below 230 VAC the power density is reduced and at ambient temperatures below 0 °C the max. temperature is reduced. For further information please contact our **JCT** sales team.

Dimensions of the end caps



Dimensions in mm

ORDER CODE

JH3BEX

Maintain temperature max. 30 °C at -20 °C	1								
Maintain temperature max. 100 °C at -20 °C	2								
Maintain temperature max. 120 °C at -20 °C	3								
Jacket made of corrugated PA 11/12		4							
Core 200 mm protruded			0						
Line length without protrusion in dm (e.g.: 10 m = 0100; 4,5 m = 0045)						XXXX			
Diameter DN 4/6 mm									4
Diameter DN 6/8 mm									6
Diameter DN 8/10 mm									8
Diameter DN 1/4"									5
Diameter DN 3/8"									7
PTFE core									PTFE
PFA core									PFA
SS316 core									SS
SS-Silconert									SS-S
Power supply 230 VAC / 50/60 Hz									2
Power supply 115 VAC / 50/60 Hz									1
Without calibration core									0
Calibration core DN4/6 mm									4



Order code

JH3BEX.

4 0

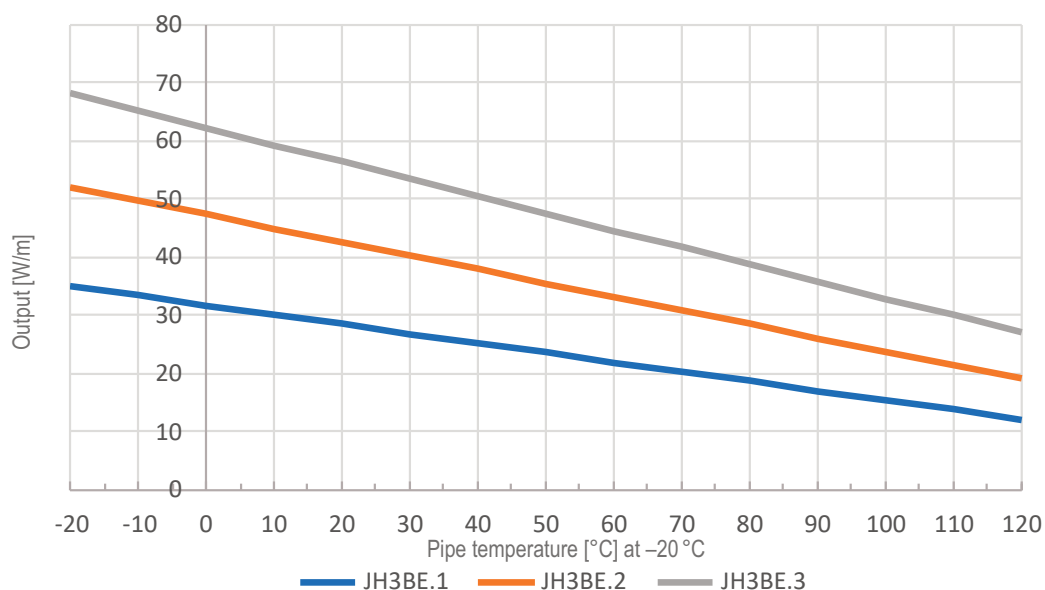
Accessories

Part Number

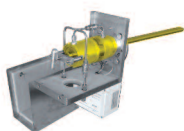
	Universal-mounting clamp for mounting at gas sample probes series JES for line diameters 35 to 50 mm	35.00980
	Universal-mounting clamp for mounting at gas sample probes series JES for line diameters 50 to 61 mm	35.00981
	2 x silicone cap connection, 1,5 m connection cable (silicone, 3 x 1,5 mm ²), for self assembly, holding temp. +5 °C to 30 °C	68.01000
	2 x silicone cap connection, 1,5 m connection cable (silicone, 3 x 1,5 mm ²), for self assembly, holding temp. +50 °C to 100 °C	68.01010
	2 x silicone cap connection, 1,5 m connection cable (silicone, 3 x 1,5 mm ²), for self assembly, holding temp. +120 °C	68.01020
	Additional material is required for each set. Sufficient for 5 connections and terminations	68.01030
	Extra charge for pre-assembly and ready for use ex works	68.01040
Temperature sensor	Pt 100 / 3-wire RTD intrinsically safe	68.01050
	Pt 100 / 4-wire RTD Ex-approved version	68.01060

RATED OUTPUT

Start-up temperature	Fuse circuit breaker (A)	Heating circuit length (m)		
		JH3BEX.1	JH3BEX.2	JH3BEX.3
10 °C	16	82,0	55,0	41,0
	20	102,0	68,0	51,0
	25	111,0	85,0	64,0
	32	111,0	91,0	79,0
0 °C	16	77,0	52,0	39,0
	20	97,0	65,0	49,0
	25	108,0	81,0	61,0
	32	108,0	88,5	77,0
-10 °C	16	73,0	50,0	37,0
	20	92,0	62,0	46,0
	25	105,5	77,0	58,0
	32	105,5	86,5	70,0
-20 °C	16	70,0	47,0	36,0
	20	87,0	59,0	44,0
	25	103,0	74,0	56,0
	32	103,0	84,5	67,0



Gas Sampling Probes



Heated Sample Lines



Sample Gas Coolers



Gas Conditioning Systems



NOx Converter



and solutions for

