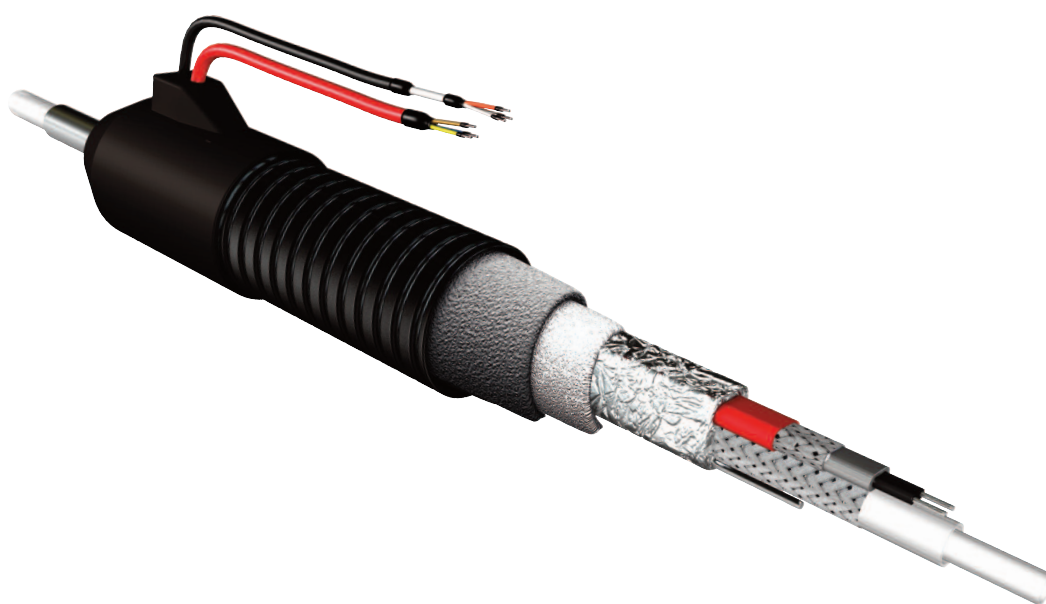




JH3BE

Heated Sample Line self-regulating cut to length

JCT
Analysentechnik



Gas Sampling
Probes

Heated Sample Lines

Sample Gas
Coolers

Condensate
Treatment

Accessories

Gas Conditioning
Systems

Sample Gas
Converters

APPLICATION

- Extractive gas analysis
- Emission and process monitoring
- Transport of sample gas from sample point to analysis system
- To stay safely above the acid dew point
- Protection against freezing
- To prevent measurement faults
- Indoor and outdoor use

BENEFITS

- No condensate formation, no freezing
- Robust external protection
- Excellent insulation
- Optimal heat deployment
- Easy to cut to length and assemble at site
- Available per meter (max. 130 m per roll)

FEATURES

- Maintain temperature up to 120 °C
- External jacket of corrugated polyamide PA12
- Heat insulation with thermo fleece
- Maximum length of heated line: 65 m
- Inner core: PTFE, PFA or SS316, DN 4 to DN 8
- Complete assembling sets with connection cable and silicone end caps or ready for use ex works
- Second core for e.g. calibration gas as option

TECHNICAL DATA

Model

JH3BE

Description	self-regulated heated sample line to cut to length
External jacket	corrugated polyamide 11/12 jacket, black option: with silicone layer
Inner core	fixed
Area of application	fixed installation indoor and outdoor

Operation Data

Operating temperature	max. 120 °C at -20 °C T _{amb.} and at 230 VAC U _v *
Operating pressure (max. at 20 °C)	DN 4/6 mm 12 bara DN 6/8 mm 8 bara DN 8/10 mm 6,5 bara
Ambient temperature	-20 °C to +80 °C

Construction

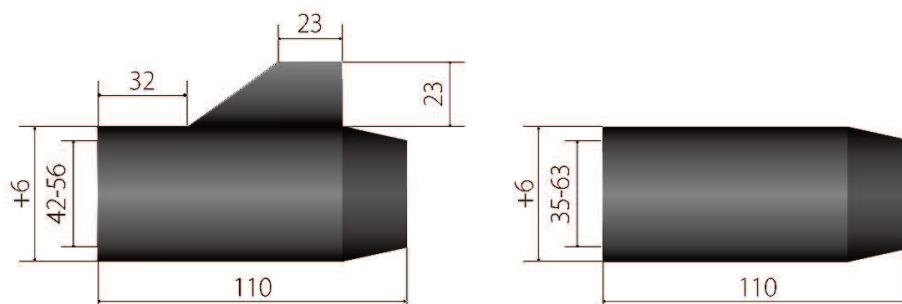
Material inner core	PTFE, optional PFA or SS316
Dimensions inner core	DN 4/6 mm, DN 6/8 mm, DN 8/10 mm, DN 1/4", DN 3/8"
Thermal insulation	multi-layered thermal fleece
End configuration	silicone caps
Maximum length of finished sample line	65 m
Outer diameter	for holding temperatures up to 100 °C: 43 mm for holding temperatures of 100 to 120 °C: 55 mm
Minimum bending radius	DN 4/6 and DN 6/8 mm: 220 mm DN 8/10 and DN 10/12mm: 270 mm with interchangeable inner core: DN 4/6 and DN 6/8 mm: 270 mm DN 8/10 and DN 10/12mm: 320 mm
Weight	1000 g/m
Temperature resistance external jacket	max. 80 °C
Production length per roll	max. 130 m
Dimensions silicone end caps	L = 110 mm, Ø 49 mm (without electrical connection) L = 110 mm, Ø 72 mm (with electrical connection)
Protection class	IP 54 (EN60529)
Approvals / Sign	CE

Electrics

Power supply	230 VAC 50/60 Hz +/-10 %, 115 VAC on request
Power consumption	constant 60 W/m at 10 °C T _u and 120 °C holding temperature
Temperature sensor (option)	PT100
Connection cable	1,5 m long, silicone, 3 x 1,5 mm ² , open cable ends

* At voltages below 230 VAC the power density is reduced and at ambient temperatures below 0 °C the max. temperature is reduced. For further information please contact our **JCT** sales team.

Dimensions of the hard caps



Dimensions in mm

ORDER CODE

JH3BE

Maintain temperature max. 30 °C at -20 °C	1				
Maintain temperature max. 100 °C at -20 °C	2				
Maintain temperature max. 120 °C at -20 °C	3				
Jacket made of corrugated PA 11/12		4			
Jacket made of corrugated PA 11/12 with silicone layer		9			
Core 200 mm protruded			0		
Line length without protrusion in dm (e.g.: 10 m = 0100; 4,5 m = 0045)				XXXX	
Diameter DN 4/6 mm					4
Diameter DN 6/8 mm					6
Diameter DN 8/10 mm					8
Diameter DN 1/4"					5
Diameter DN 3/8"					7
PTFE core					PTFE
PFA core					PFA
SS316 core					SS
SS-Silconert					SS-S
Power supply 230 VAC / 50/60 Hz					2
Power supply 115 VAC / 50/60 Hz					1
Without calibration core					0
Calibration core DN 4/6 mm					4



Order code

JH3BE.

0

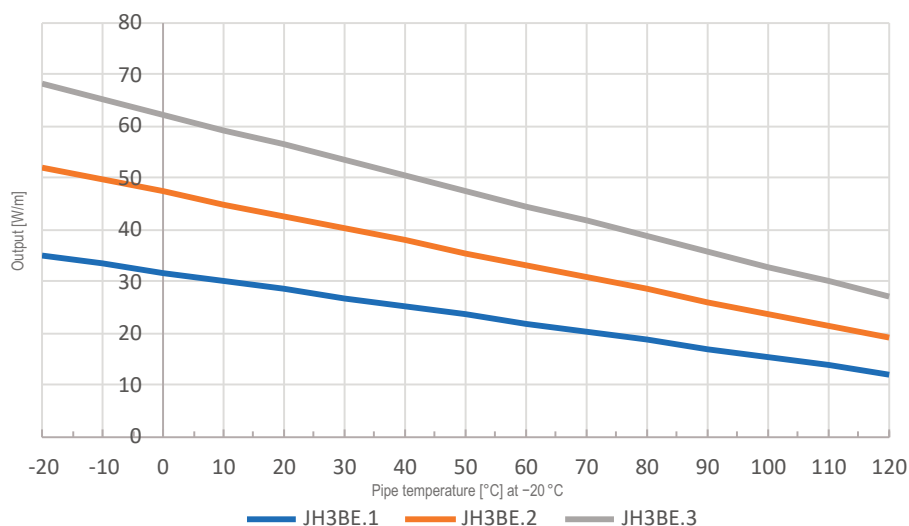
Accessories

Part Number

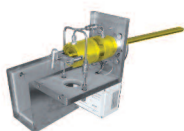
	Universal mounting clamp for mounting at gas sample probes series JES for line diameters 35 to 50 mm	35.00980
	Universal-mounting clamp for mounting at gas sample probes series JES for line diameters 50 to 61 mm	35.00981
	2 x silicone cap connection, 1,5 m connection cable (Silicone, 3 x 1,5 mm ²), for self assembly, holding temp. 5 °C to 30 °C	68.00100
	2 x silicone cap connection, 1,5 m connection cable (Silicone, 3 x 1,5 mm ²), for self assembly, holding temp. 50 °C to 100 °C	68.00110
	2 x silicone cap connection, 1,5 m connection cable (Silicone, 3 x 1,5 mm ²), for self assembly, holding temp. 120 °C	68.00120
	Additional material is required for each set. Sufficient for 5 connections and terminations	68.00130
	Extra charge for pre-assembly and ready for use ex works	68.00140
Temperature sensor	PT100 / 2-wire RTD	68.00150
	PT100 / 3-wire RTD	68.00160

RATED OUTPUT

Start-up temperature	Fuse circuit breaker (A)	Heating circuit length (m)		
		JH3BE.1	JH3BE.2	JH3BE.3
10 °C	16	82,0	55,0	41,0
	20	102,0	68,0	51,0
	25	111,0	85,0	64,0
	32	111,0	91,0	79,0
0 °C	16	77,0	52,0	39,0
	20	97,0	65,0	49,0
	25	108,0	81,0	61,0
	32	108,0	88,5	77,0
-10 °C	16	73,0	50,0	37,0
	20	92,0	62,0	46,0
	25	105,5	77,0	58,0
	32	105,5	86,5	70,0
-20 °C	16	70,0	47,0	36,0
	20	87,0	59,0	44,0
	25	103,0	74,0	56,0
	32	103,0	84,5	67,0
-40 °C	16	64,0	43,0	33,0
	20	80,0	54,0	41,0
	25	98,0	68,0	51,0
	32	98,0	81,0	61,0



Gas Sampling Probes



Heated Sample Lines



Sample Gas Coolers



Gas Conditioning Systems



NOx Converter



and solutions for

