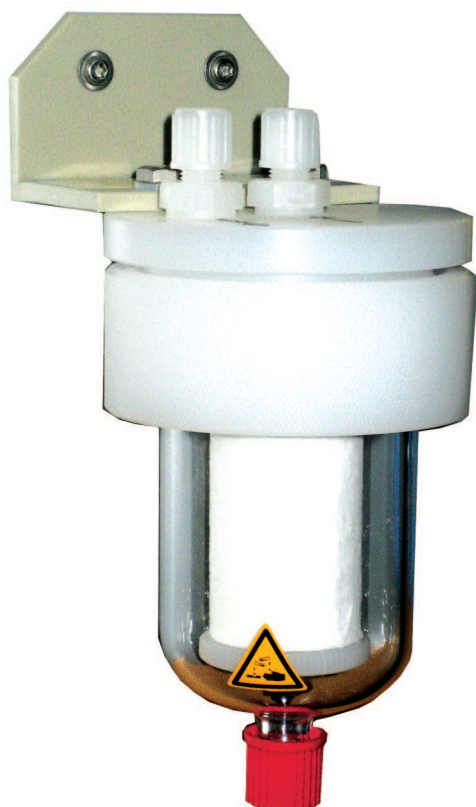




JSF-2 Acid Filter



JCT
Analysentechnik

Gas Sampling
Probes

Heated Sample
Lines

Sample Gas
Coolers

Condensate
Treatment

Accessories

Gas Conditioning
Systems

Sample Gas
Converters

APPLICATION

- For extractive gas analysis
- For emission and process monitoring
- For removal of aerosols (liquid particles) from sample gas even at high pressures
- For protection of the analysers
- For integration in gas analysis systems directly upstream the analyzer

BENEFITS

- Reliable continuous aerosol filtration
- No change of sample gas
- Easy mounting and integration in gas analysis systems
- Long lifetime of the filter elements with upstream dust filtration
- Low and easy maintenance effort
- Corrosion resistant
- Gas tight

FEATURES

- For wall mounting
- Corrosion resistant materials: PVDF, glass and Viton®
- Filtration takes place from inside to outside
- Compact robust construction
- Small dead volume
- Low pressure drop
- Suitable for high pressures and temperatures
- Variable connection technology

TECHNICAL DATA

Model

JSF-2

Description	acid filter for removal of aerosols (liquid particles) from the sample gas
-------------	--

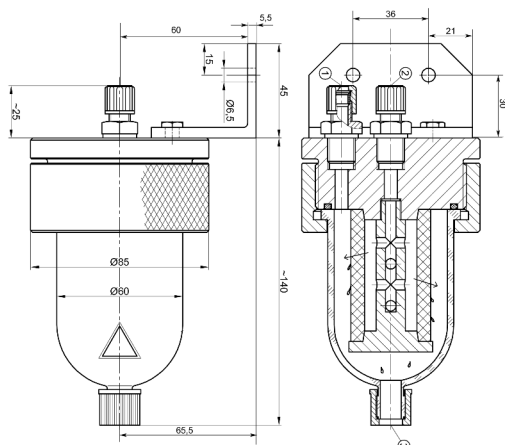
Operation

Flow rate	max. 300 NI/hr
Operating temperature	-20 °C to 140 °C
Operating pressure	max. 1,5 bara
Pressure drop	15 mbar at 300 NI/hr

Construction

Dimensions (Ø x T)	85 x 140 mm
Connections inlet / outlet	3 x DN 4/ 6 mm (others on request)
Gas wetted materials	PVDF, glass, Viton®, glass fibre
Dead volume	130 ml
Mounting	wall mounting

DIMENSIONS / FUNCTION

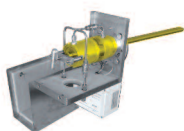


- | | |
|---|--|
| 1 | Aerosol free sample gas OUT |
| 2 | Aerosol containing sample gas IN |
| 3 | Liquid OUT (GL14 PVDF adapter not shown) |

ORDER CODES

Order code	Description
36.11307	JSF-2 acid filter made of PVDF and glass, incl. filter element, wall mounting bracket, 2 fittings for 6 mm hose connection and GL14 PVDF-adapter for 6 mm hose connection

Gas Sampling **Probes**



Heated Sample **Lines**



Sample Gas **Coolers**



Gas Conditioning **Systems**



NOx **Converter**



and solutions for

