



**JCT**  
Analysentechnik

# JES-301LM

## Gas Sampling Probe for Marine



### Gas Sampling Probes

Heated Sample Lines

Sample Gas Coolers

Condensate Treatment

Accessories

Gas Conditioning Systems

Sample Gas Converters

### APPLICATION

- Marine applications compliant to MARPOL standards
- Representative continuous gas sampling in processes containing dust and humidity
- Extractive gas analysis
- Emission (CEMS) and process monitoring
- Removal of dust from the sample gas

### BENEFITS

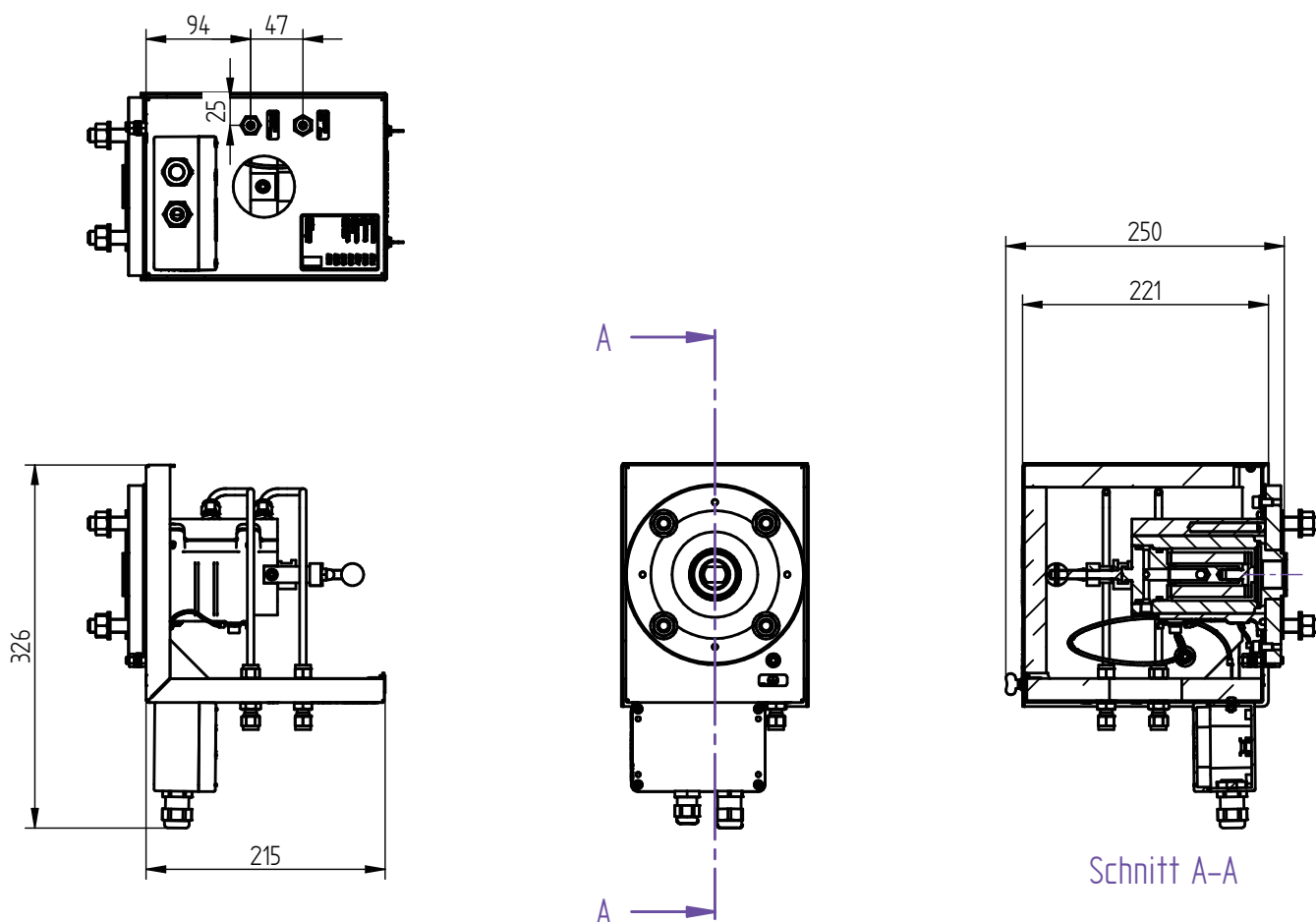
- No condensation or chemical reactions of sample gas
- Convenient filter replacement
- Low maintenance
- Easy start-up
- Reliable protection of the analyzer system

### FEATURES

- Homogeneous heating without cold spots
- Filtration from outside to inside
- Filter element change without tools
- Self limiting PTC heater
- Temperature status contact
- Weather protection housing
- Wide range of accessories
- Calibration port (option)
- Back purge port (option)
- Field and factory tested

## DIMENSIONS

Dimensions in mm



## ORDER CODE

Model	Filter		Options					Flange		
	0,2 µm ceramic surface coated	2 µm ceramic	Calibration port with non return valve	Calibration port	Backpurge port with non return valve	Back purge port	Weather protection housing	Power supply 115 VAC to 230 VAC 50/60 Hz	DN65/PN6	2" ANSI (Z)
JES-301LM		X					X	X	35.03070	35.03080
JES-301LBM	X				X		X	X	35.03073	35.03083
JES-301LCM		X	X				X	X	35.03072	35.03082
JES-301LBCM	X		X		X		X	X	35.03071	35.03081
JES-301LMO		X				X	X	X	35.03074	35.03084
JES-301LAM		X		X			X	X	35.03075	35.03085
JES-301LAMO		X		X		X	X	X	35.03076	35.03086

## TECHNICAL DATA

### Model

**JES-301LM**

Description	gas sampling probe for marine applications
-------------	--

### Operation

Temperature	approx. 180 °C
Low temperature threshold / Contact	150 °C
Operating pressure	max. 2 bara
Mounting position	5° to 15° incline (recommended), torsion angle max. 45°
Heating-up time	30 min
Ambient temperature	-20 °C to 60 °C
Dust load	max. 1 g/m <sup>3</sup> , flow dependent

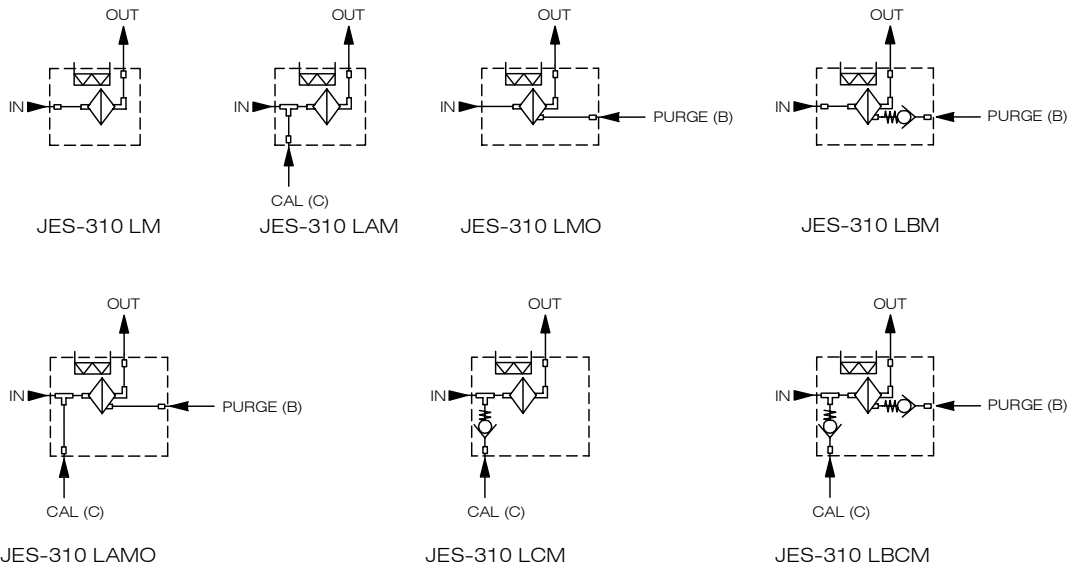
### Construction

Dimensions over all (W x H x D)	168 x 331 x 249 mm
Dimensions connection box (W x H x D)	120 x 160 x 90 mm
Filter element	ceramic
Active filter surface	83 cm <sup>2</sup>
Mounting flange	DN 65, PN6; form A according to EN 1092-1; SS316L or 2" ANSI 150 lbs; according to ASME B16.5
Sample gas inlet	G 3/4" female thread
Sample gas outlet	1/8" NPT female thread
Calibration and backpurge gas connection (options)	6 mm bulkhead fitting
Gas wetted materials	SS316L, ceramic, Viton®
Protection class	IP43 according to EN60529
Weight	9 kg
Weather protection housing	SS304, thermal insulated, colour stainless steel natural
Approvals / Signs	CE, compliant to MARPOL standards

### Electrics

Power supply	115 to 230 VAC 50/60 Hz
Power consumption	approx. 300 VA
Heater element	PTC self limited
Electrical connection	spring type terminals, clamping range 0,08 to 2,5 mm <sup>2</sup>
Protection class junction box	IP65
Switching capacity status contact (volt free)	min. 24 VDAC / 50 mA, max. 230 VAC / 5A cosP 0,95

## GAS FLOW DIAGRAM



## ACCESSORIES

### Sampling pipes

35.03060	Sampling pipe for JES-301L, SS316Ti, length 1000 mm, 12 x 1,5 mm, temp. max. 600 °C, G 3/4"m
35.03061	Sampling pipe for JES-301L, SS316Ti, length 2000 mm, 12 x 1,5 mm, temp. max. 600 °C, G 3/4"m
35.03062	Sampling pipe for JES-301LM, Hastelloy® C, length 1000 mm, 12 x 1 mm, temp. max. 425 °C, G 3/4"m, MARPOL configuration, including vibrations damper, connector and damper cone made of SS316Ti
35.03063	Sampling pipe for JES-301LM, SS316Ti, length 1000 mm, 12 x 1,5 mm, temp. max. 600 °C, G 3/4"m SS316Ti, marine configuration, including vibrations damper

JCT Analysentechnik GmbH offers a wide range of accessories. Please refer to separate data sheets for further information:

- JES-301 Accessories**

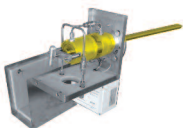
Flange adapters

Accessories for gas connections

Non-return valves

- JBPRV Back purge reduction valve**

Gas Sampling **Probes**



Heated Sample **Lines**



Sample Gas **Coolers**



Gas Conditioning **Systems**



NOx **Converter**



and **solutions** for

