



**JCT**  
Analysentechnik

# HT-61 / HT-62 Temperature Controller with Limiter Function



## APPLICATION

- Temperature controller for all **JCT** heated sample lines
- For operation with elevated safety requirements due to limiter function
- Also universally applicable
- Also for operation of explosion proof heated sample lines in Ex zone 2 applicable

## BENEFITS

- Long lifetime due to contactless switching
- High switching capacity of 3680 W
- Self programmable and free configurable
- Pre-parameterised ex works on request
- Robust compact design
- Limiter function with permanent switch-off according to EN 60519
- Switch-off temperature adjustable (0 °C to 1000 °C)
- Alarm relay for 1 A

## FEATURES

- PID controller
- Wall mounting housing IP65
- 2 -line illuminated LCD text display
- Membrane keypad with 5 push-buttons
- Alarm outlet with limit compensation
- Controller outlet with Triac
- Freely programmable
- Auto tuning
- Analog measured value outlet 0...10 V
- Analog set point 0...20 mA (optional)

Gas Sampling  
Probes

Heated Sample Lines

Sample Gas  
Coolers

Condensate  
Treatment

Accessories

Gas Conditioning  
Systems

Sample Gas  
Converters

## TECHNICAL DATA

Model	HT-61	HT-62
Description	temperature controller with limiter function	
Connections	HAN Q8 socket (8+PE) and mains cable	cable glands

### Construction

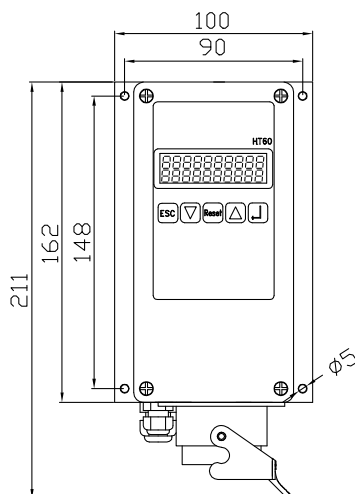
Installation	wall mounting, 4 x M4	
Dimensions	160 x 80 x 65 mm (H x W x D)	
Mounting surface	160 x 100 mm	
Degree of protection	IP65 (EN 60529)	
Protection class	I	
Operation	membrane key, 5 push-buttons	
Housing material	Makrolon	
Approvals	CE	

### Electrics

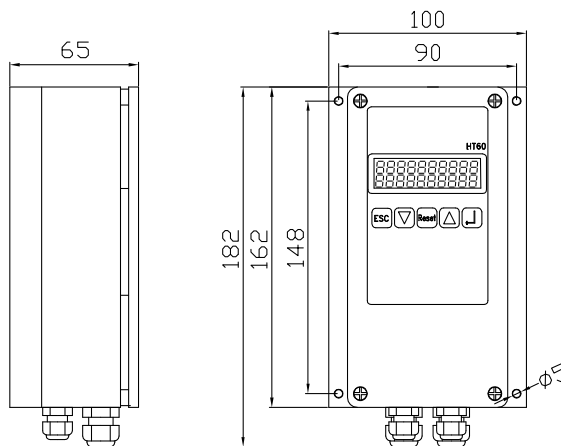
Power supply	230 VAC 50/60 Hz, optional 115 VAC	
Sensor types	PT100, PT1000; Fe-CuNi (J), NiCr-Ni (K), Ni120, for 2 and 3 wire sensor system	
Accuracy	1% +/- 1 digit	
Controller outlet	electrical switch (Triac) 16 A	
Alarm outlet	relais 24 V / 1 A	
Controller response	PID	
Limiter function	signal via 2nd PT100 sensor	
Cutout temperature limiter	50 °C to 500 °C adjustable, actuates via mechanical relay 250 VAC / 16 A	
Display current / Rated value	2-line LCD illuminated display	
Measuring range	0...1000 °C	
Analog output	0...10 VDC	
Setting ex works*	PT100, 0...200 °C	
Option	external set point input 4...20 mA	

\*The customer can reprogram these parameters or settings are supplied as required (extra charge)

### Dimensions HT-61

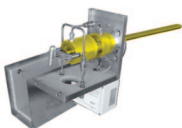


### Dimensions HT-62



Dimensions in mm

Gas Sampling Probes



Heated Sample Lines



Sample Gas Coolers



Gas Conditioning Systems



NOx Converter



and solutions for

