



JCT
Analysentechnik

HT-63

Compact Electronic Controller



Gas Sampling
Probes

Heated Sample Lines

Sample Gas
Coolers

Condensate
Treatment

Accessories

Gas Conditioning
Systems

Sample Gas
Converters

APPLICATION

- Temperature controller for all **JCT** heated sample lines
- Also universally applicable
- Suitable for mobile applications

BENEFITS

- 7-pole connector for **JCT** heated sample lines
- Long lifetime due to contactless switching
- High switching capacity of 2300 W
- Robust compact design
- Alarm relay for 1 A

FEATURES

- PID controller
- Wall mounting housing IP65
- 2-line illuminated LCD text display
- Membrane keypad with 5 push-buttons
- Alarm outlet with limit compensation
- Controller outlet with Triac
- 2 & 3 wire RTD & TC Sensors
- Analog temperature value outlet 0...10 V
- Analog set point 0...20 mA (optional)

TECHNICAL DATA

Model

HT-63

Description	compact electronic temperature controller for all heated JCT sample lines
Connections	7 pole flange socket (6+PE), max. 10 A (Binder series 693 or similar) and 1,2 m mains cable 1 x cable gland for signal outlet

Construction

Installation	wall mounting, 4 x M4
Dimensions	160 x 80 x 65 mm (H x W x D)
Mounting surface	160 x 100 mm
Degree of protection	IP65 (EN 60529)
Protection class	I
Operation	membrane keyboard, 5 push-buttons
Housing material	Makrolon
Approvals	CE

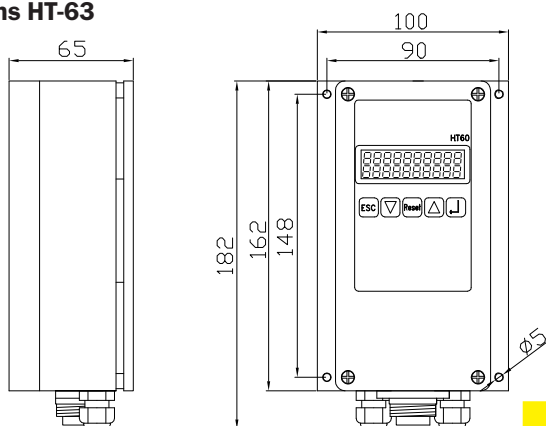
Electrics

Power supply	230 VAC 50/60 Hz, optional 115 VAC 50/60 Hz
Sensor types	PT100, PT1000, Fe-CuNi (J), NiCr-Ni (K), Ni120, for 2-wire and 3-wire sensor system
Accuracy	1% +/- 1 digit
Controller outlet	electrical switch (Triac), 10 A
Alarm outlet	relay 24 V / 1 A
Controller response	PID
Cutout temperature limiter	50 °C to 500 °C adjustable, actuates via mechanical relay 250 VAC / 16 A
Display current / Rated value	2-line LCD-illuminated display
Analog output	0...10 VDC
Possible settings ex works*	PT100: 0...100 °C, 0...200 °C, 0...250 °C, 0...500 °C PT1000: 0...100 °C, 0...200 °C, 0...250 °C, 0...500 °C Fe-CuNi: 0...100 °C, 0...200 °C, 0...250 °C, 0...500 °C, 0...800 °C NiCr-Ni: 0...100 °C, 0...200 °C, 0...250 °C, 0...500 °C, 0...800 °C Ni120: 0...100 °C, 0...200 °C, 0...250 °C
Option	external set point input 4...20 mA

*The customer can reprogram these parameters or settings are supplied as required (extra charge)

Dimensions HT-63

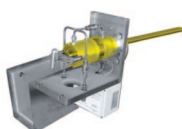
Dimensions in mm



Gas Sampling **Probes**

Heated Sample **Lines**

Sample Gas **Coolers**



Gas Conditioning **Systems**

NOx **Converter**

and **solutions** for

